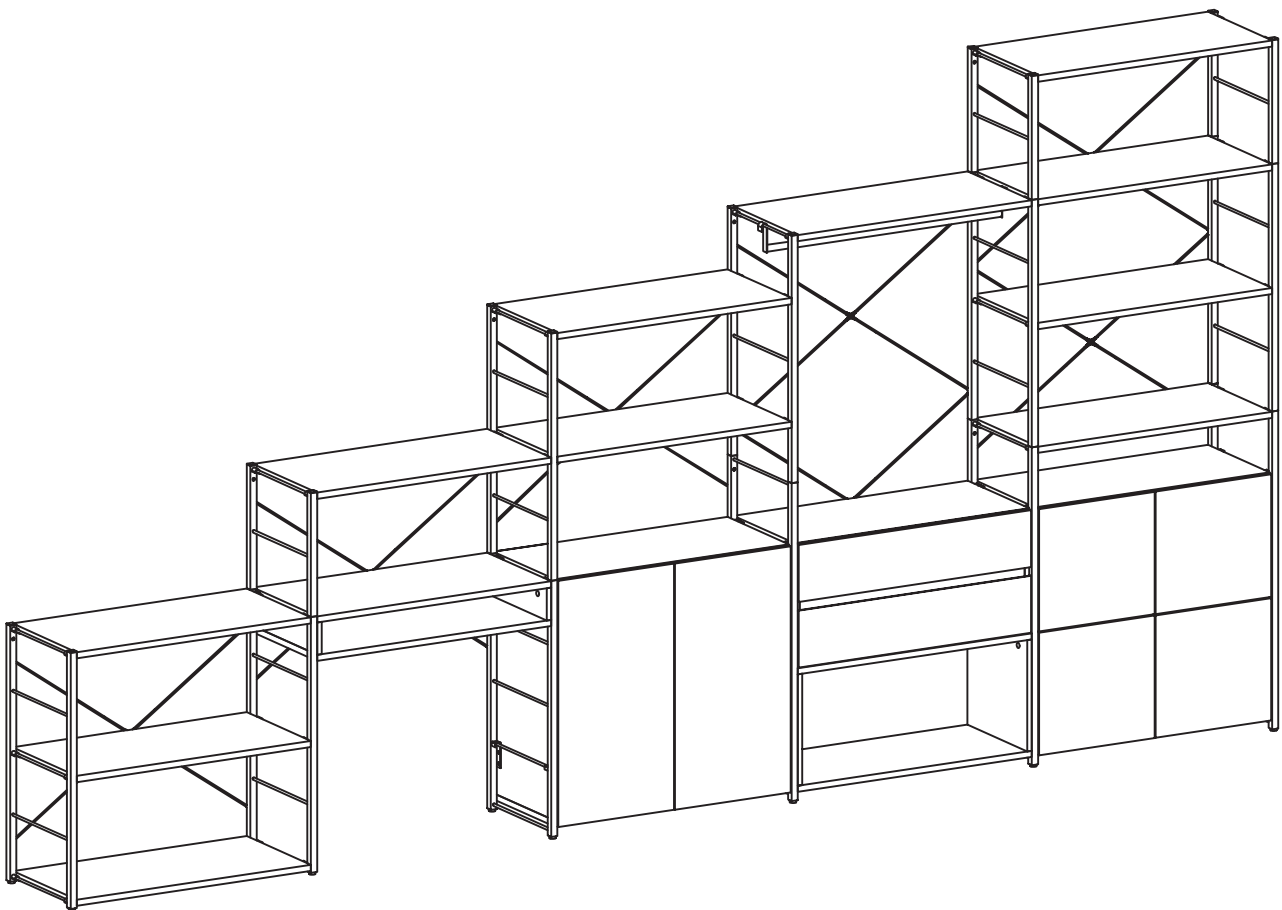




**THIS PRODUCT SHOULD BE PERMANENTLY ANCHORED TO THE WALL OR
OTHER SUITABLE SURFACE TO AVOID SERIOUS INJURY OR DEATH.**

To help avoid any serious injury or death, this product includes a wall strap to prevent toppling. We strongly recommend that this product be permanently fixed to the wall or other suitable surface. Fixing hardware is not included since different surface materials require different attachments. Please seek professional advice if you are in doubt what fixing hardware to use. Regularly check your fixing device.

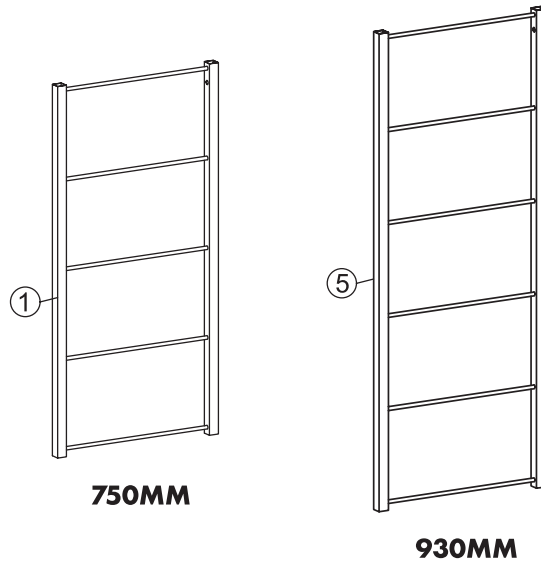


This product requires two people to assemble.








CARE INSTRUCTIONS: We recommend to wipe over with a dry micro-fibre cloth to remove any dust. Avoid using a damp or wet cloth and any cleaning chemicals as this may cause damage to the surface.

1. ASSEMBLING YOUR BASE LADDER FRAME

ELEMENTS

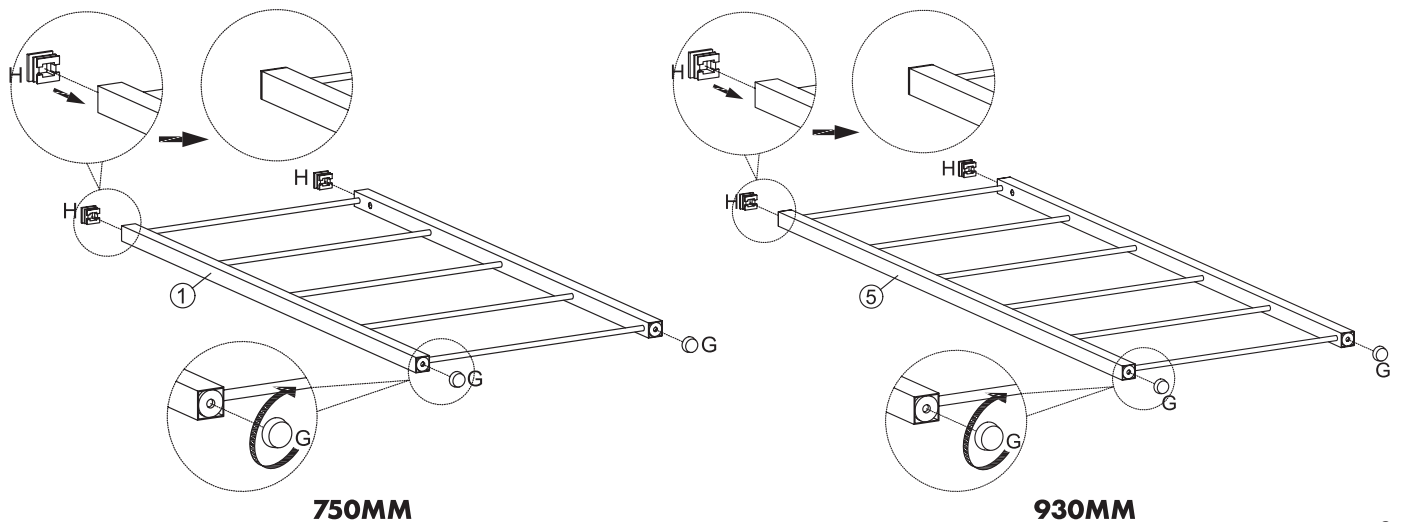


PARTS LIST

G  x2pcs	H  x2pcs	I  x1pc	J  x1pc	K  x1pc	L  x1pc	M  x1pc
--	--	---	---	--	---	---

STEP 1.1

Please note that End Caps (H) are used at the finished height of your Ladder Frame. If extending your Ladder Frame, do not install End Caps (H) yet, refer to your Ladder Frame Extension instructions.

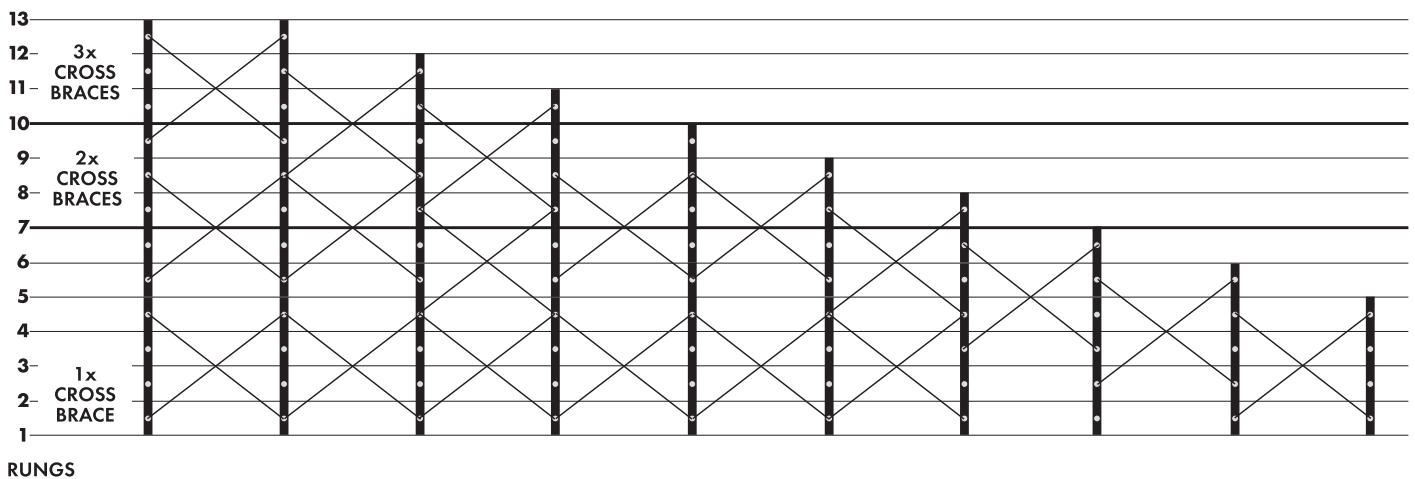


2. INSTALLING CABINETS & DRAWERS

Once you have assembled your Ladder Frames, assemble and install any Cabinets and Drawers for your system. Refer to your Cabinet and Drawer instructions for these steps.

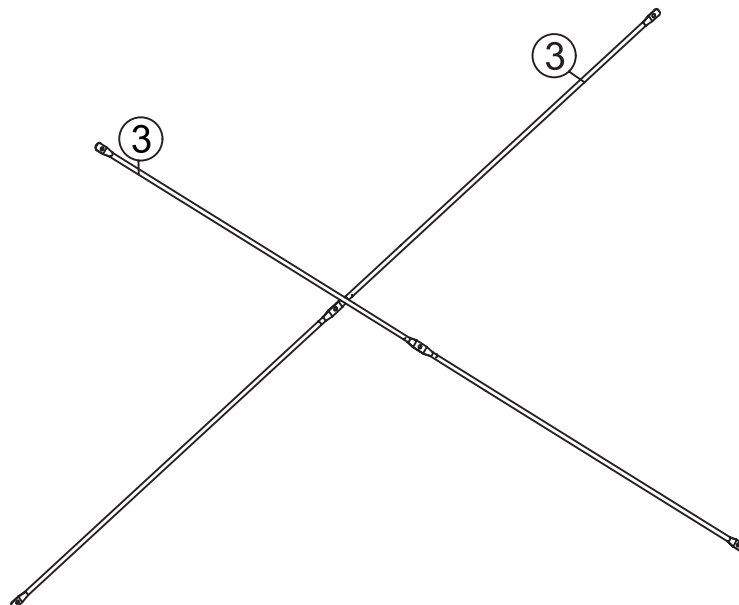
3. SECURING WITH CROSS BRACES

Once you have installed Cabinets and Drawers onto your Ladder Frame, you will need to secure your system with Cross Braces. The following chart shows the amount of Cross Braces required based on the Ladder Frame height.







Where possible, we recommend positioning Cross Braces across the joins of the Ladder Bases and Extensions for added stability.

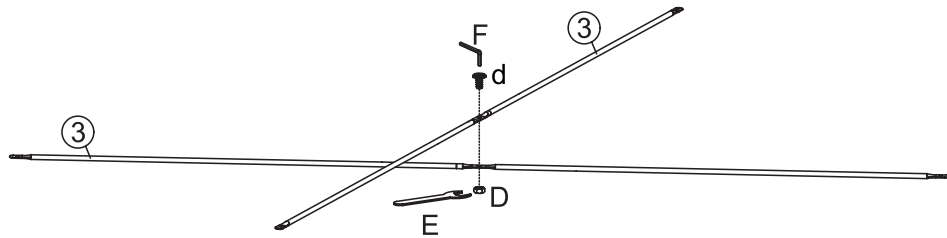
ELEMENTS



PARTS LIST

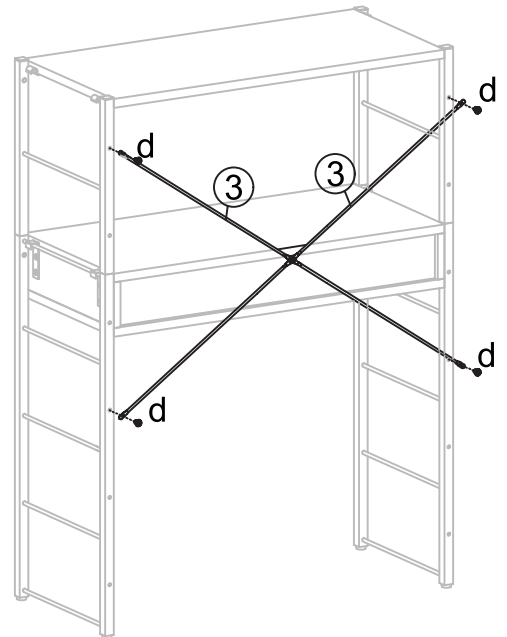
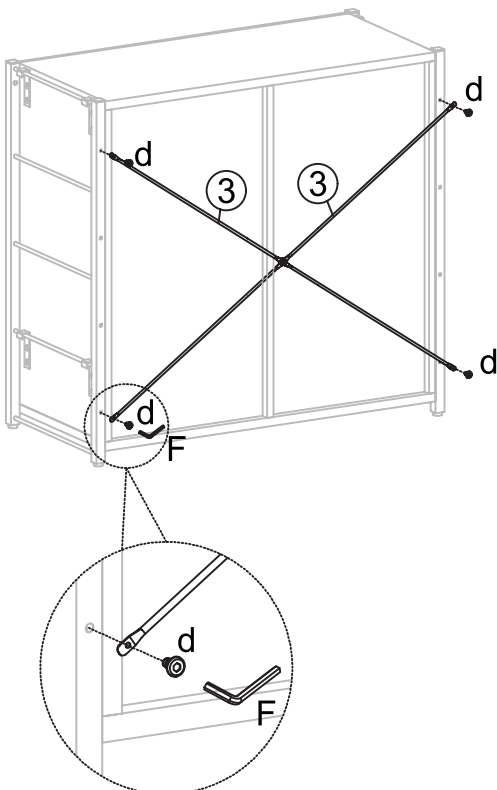
d	D	E	F
			
x5pcs	x1pc	x1pc	x1pc

STEP 3.1



STEP 3.2

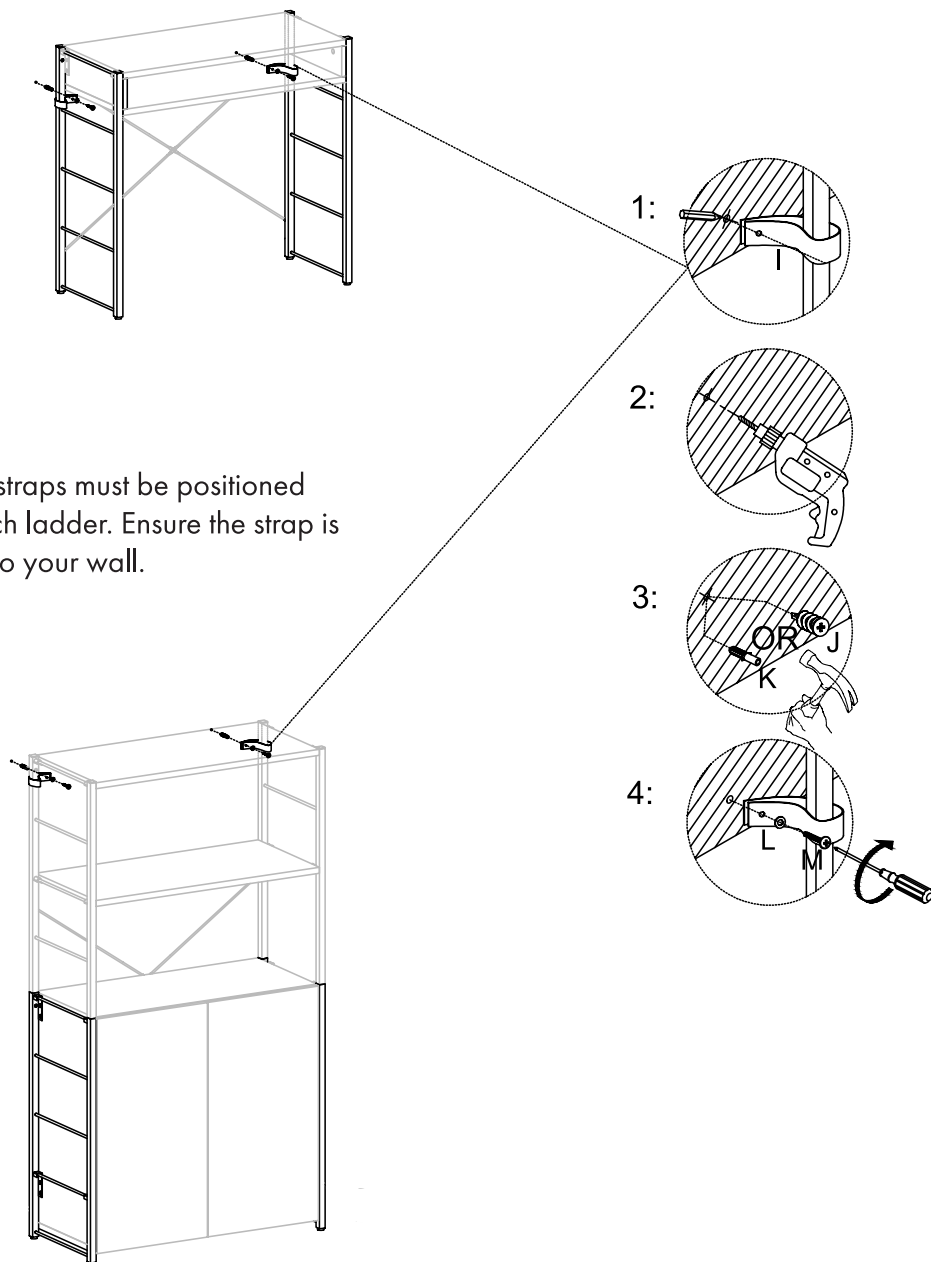
Cross Bracing requirements vary based on Ladder Frame height. Refer to the configuration guide above for Cross Brace positioning.



4. ADDING SHELVES & HANGING RAILS

If required, install Shelves and Hanging Rails from the rungs of your Ladder Frame. Refer to your Shelf instructions for these steps. Hanging Rails are simply fitted to the rungs of your ladder frame.

5. ANTI-TOPPLING



To prevent toppling, wall straps must be positioned below the top rung of each ladder. Ensure the strap is pulled tight before fixing to your wall.

MADE IN CHINA

Distributed by:

Visy Retail Services Pty Ltd (AU): 1300 734 714

Visy Board Limited (NZ): 0800 443 058

flexistorage.com.au

flexistorage.co.nz