

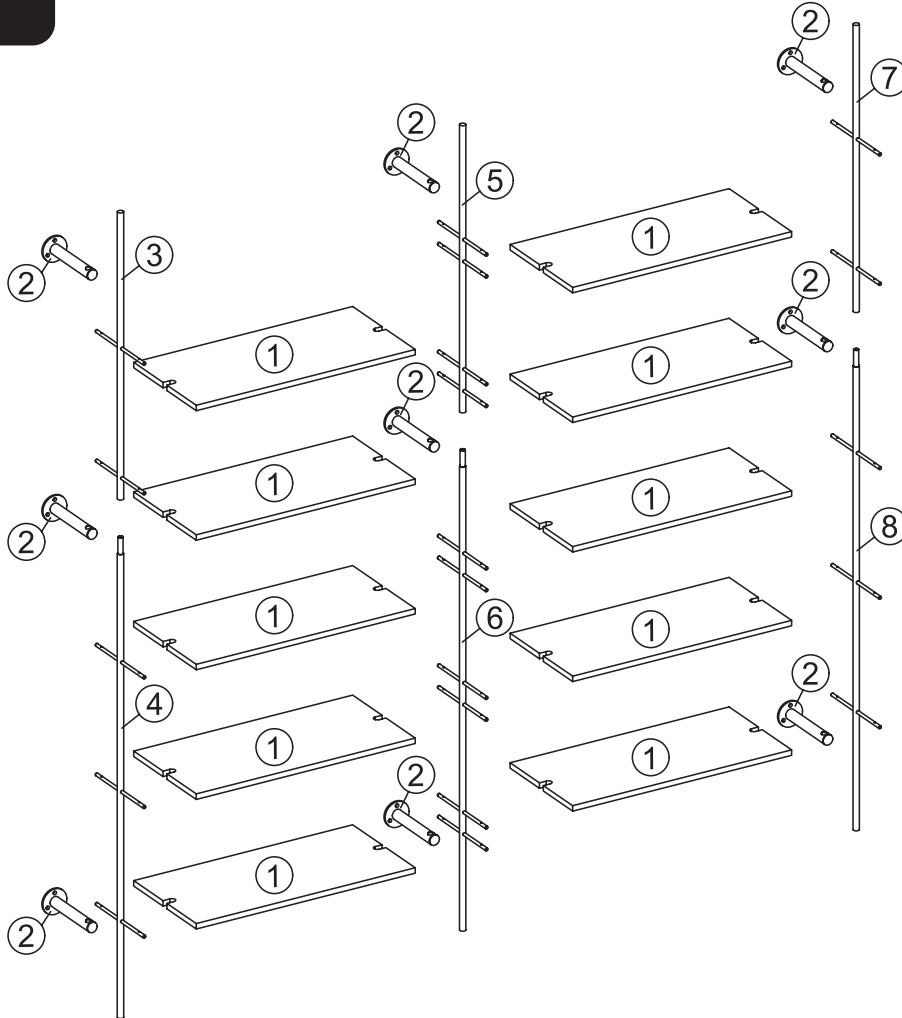
**SEE HOW TO BUILD:**



This Kit requires two people to assemble.





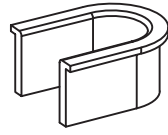


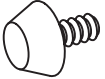

**Care Instructions:** We recommend to wipe over with a dry micro-fibre cloth to remove dust. Avoid using a damp or wet cloth and any cleaning chemicals as this may cause damage to the surface.







**ELEMENTS**



**HARDWARE**

**TOOLS**

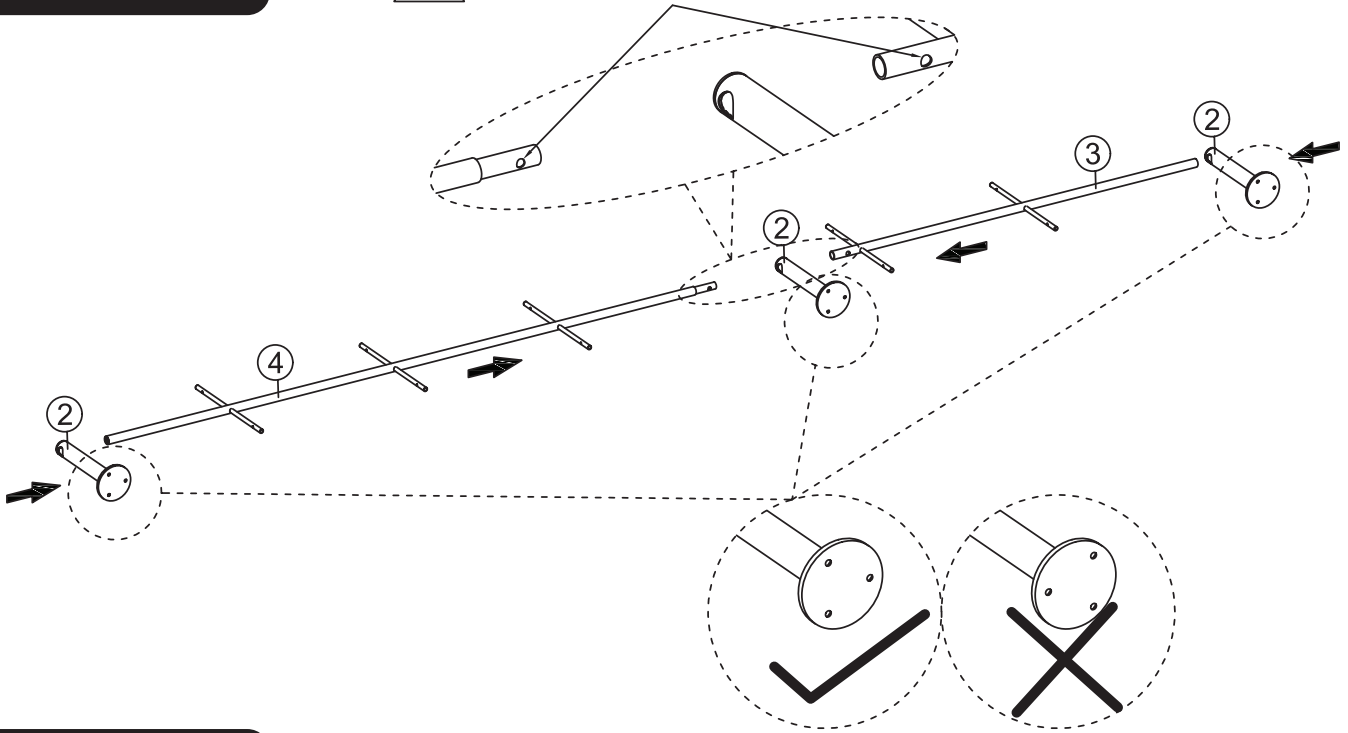
<p><b>A</b></p>  <p><b>x40</b></p>	<p><b>B</b></p>  <p><b>x27</b></p>	<p><b>C</b></p>  <p><b>x27</b></p>	<p><b>D</b></p>  <p><b>x27</b></p>	<p><b>E</b></p>  <p><b>x20</b></p>
<p><b>F</b></p>  <p><b>x3</b></p>	<p><b>G</b></p>  <p><b>x1</b></p>	<p><b>H</b></p>  <p><b>x3</b></p>	<p><b>I</b></p>  <p><b>x1</b></p>	

-  Tape Measure
-  Phillips Head Screw Driver
-  Hammer
-  Spirit Level
-  Pencil
-  Drill

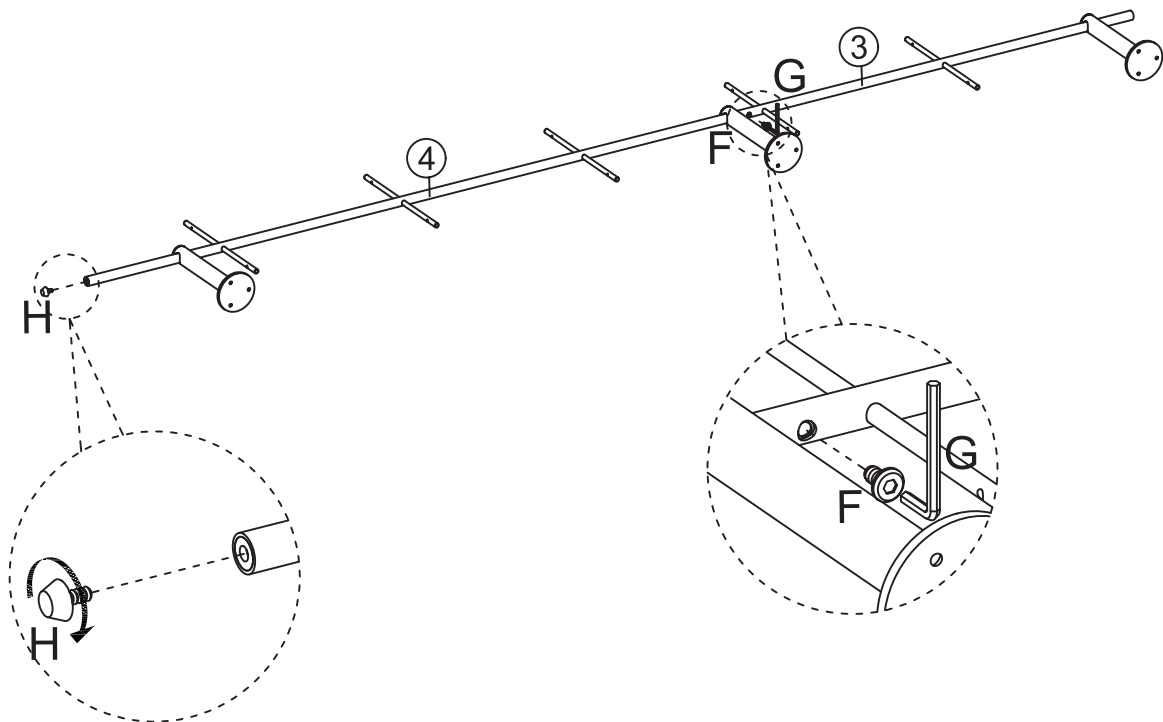
**STEP 1**



Ensure the end holes in 4 and 3 align.



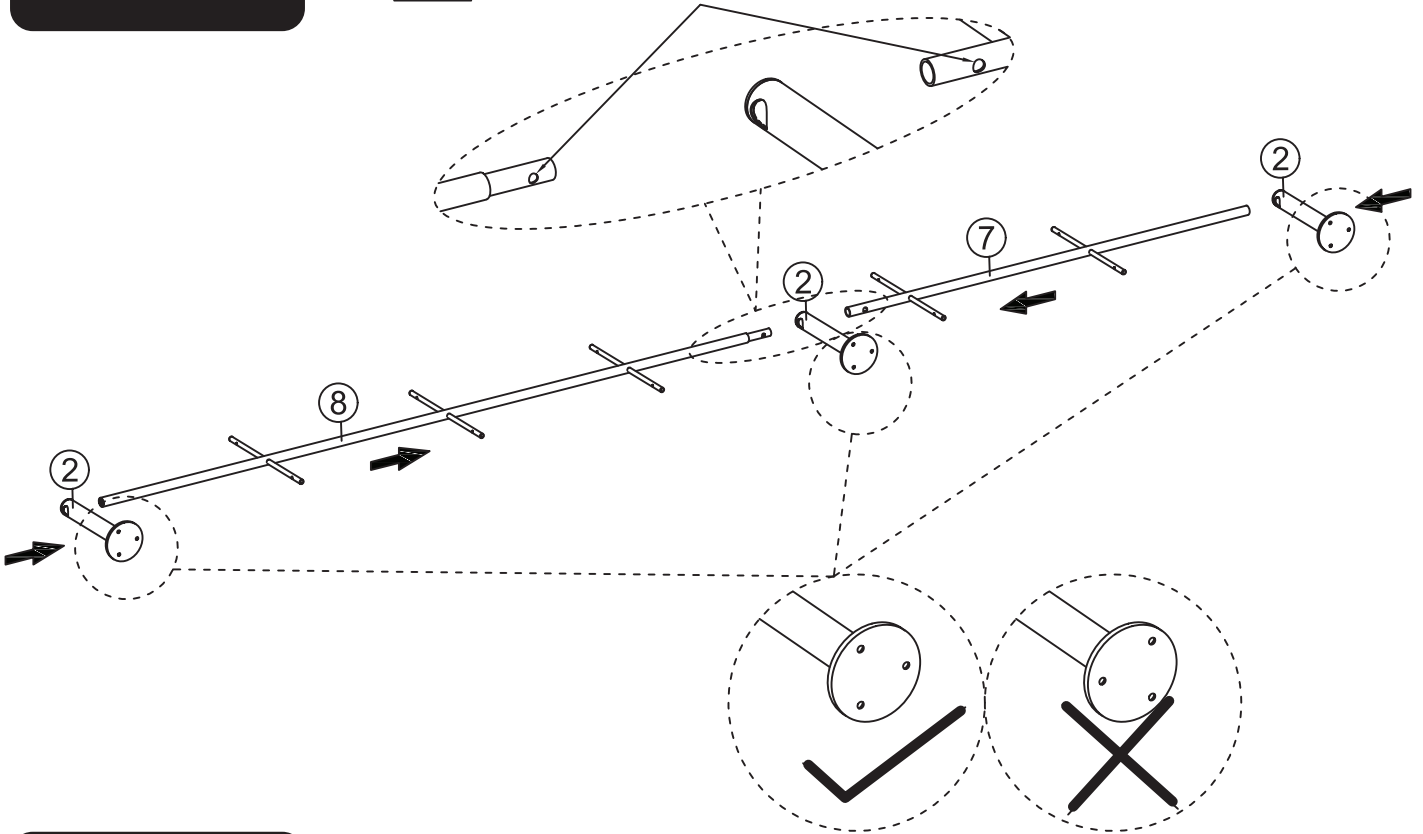
**STEP 2**



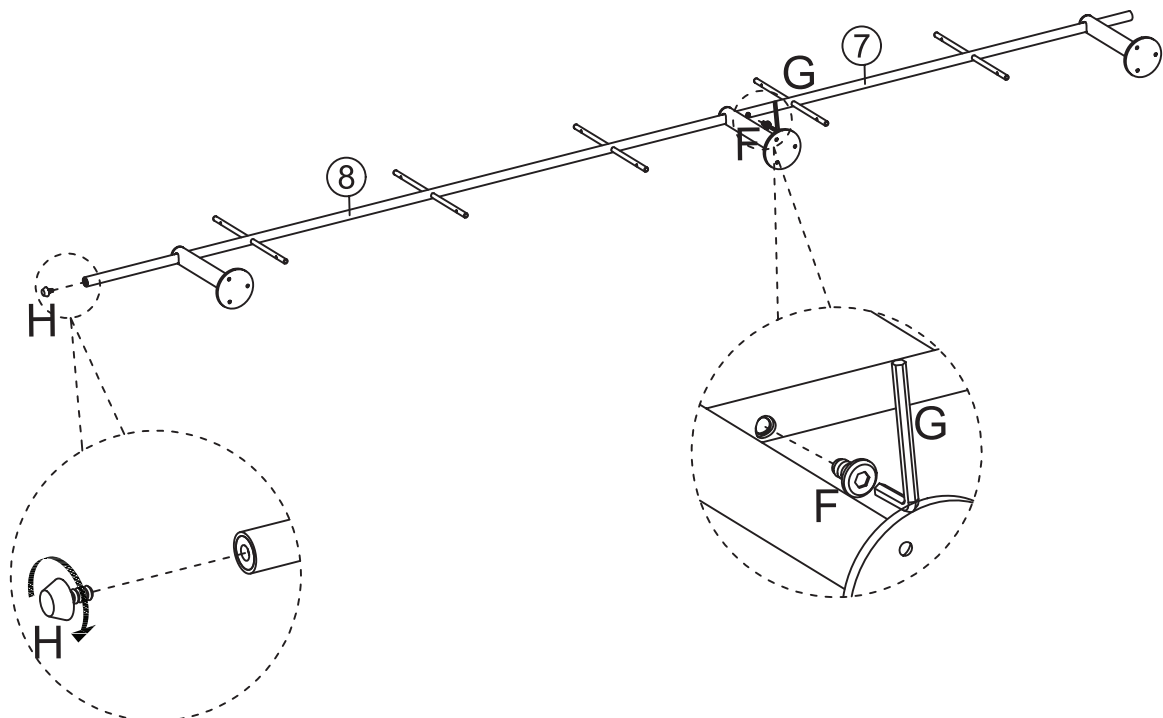
**STEP 3**



Ensure the end holes in 8 and 7 align.



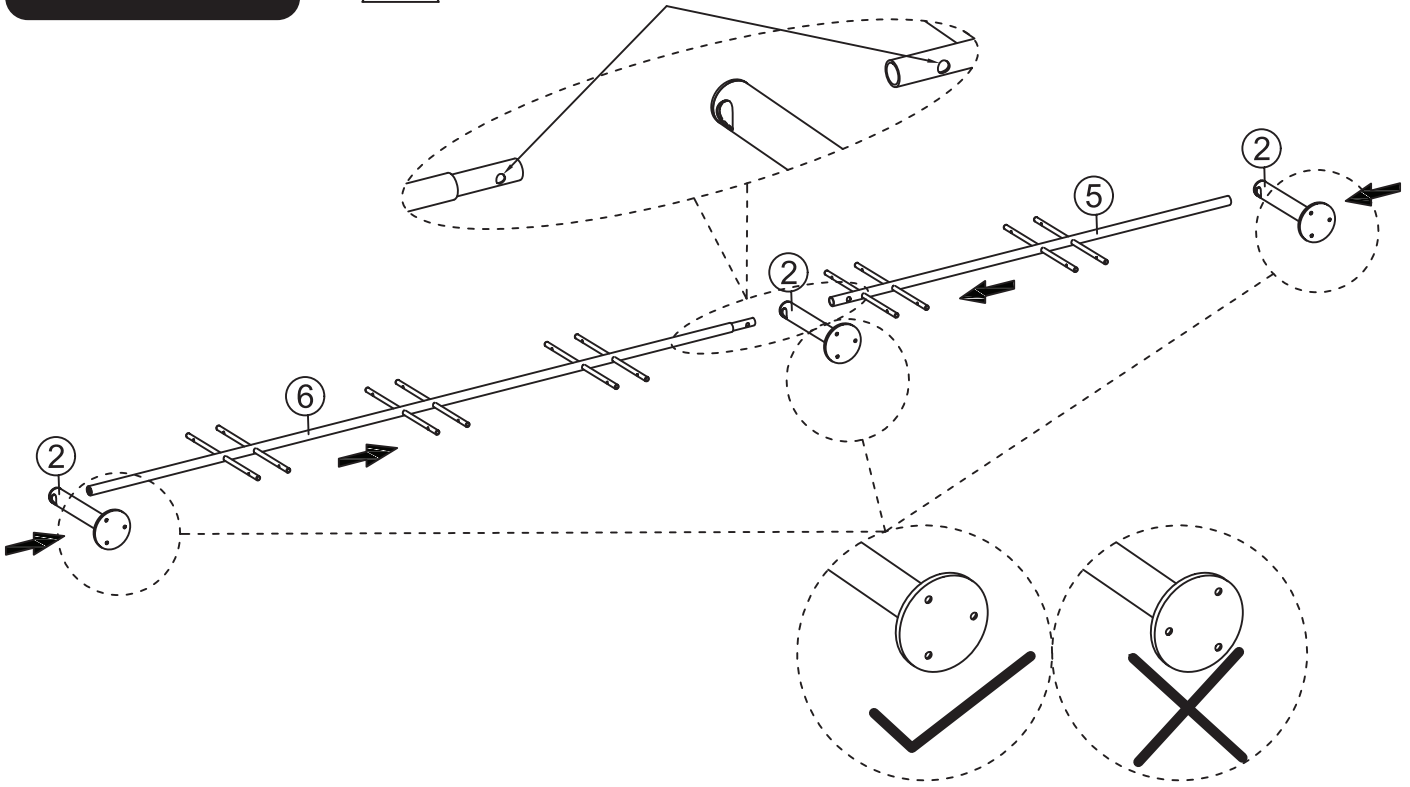
**STEP 4**



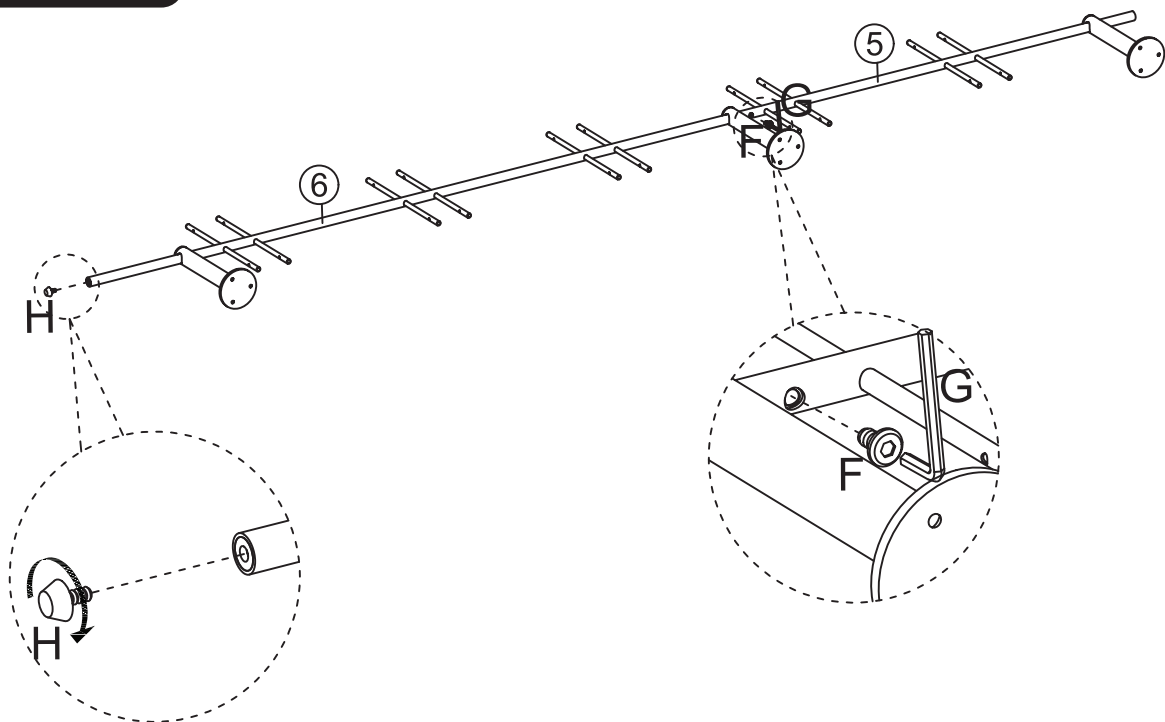
**STEP 5**



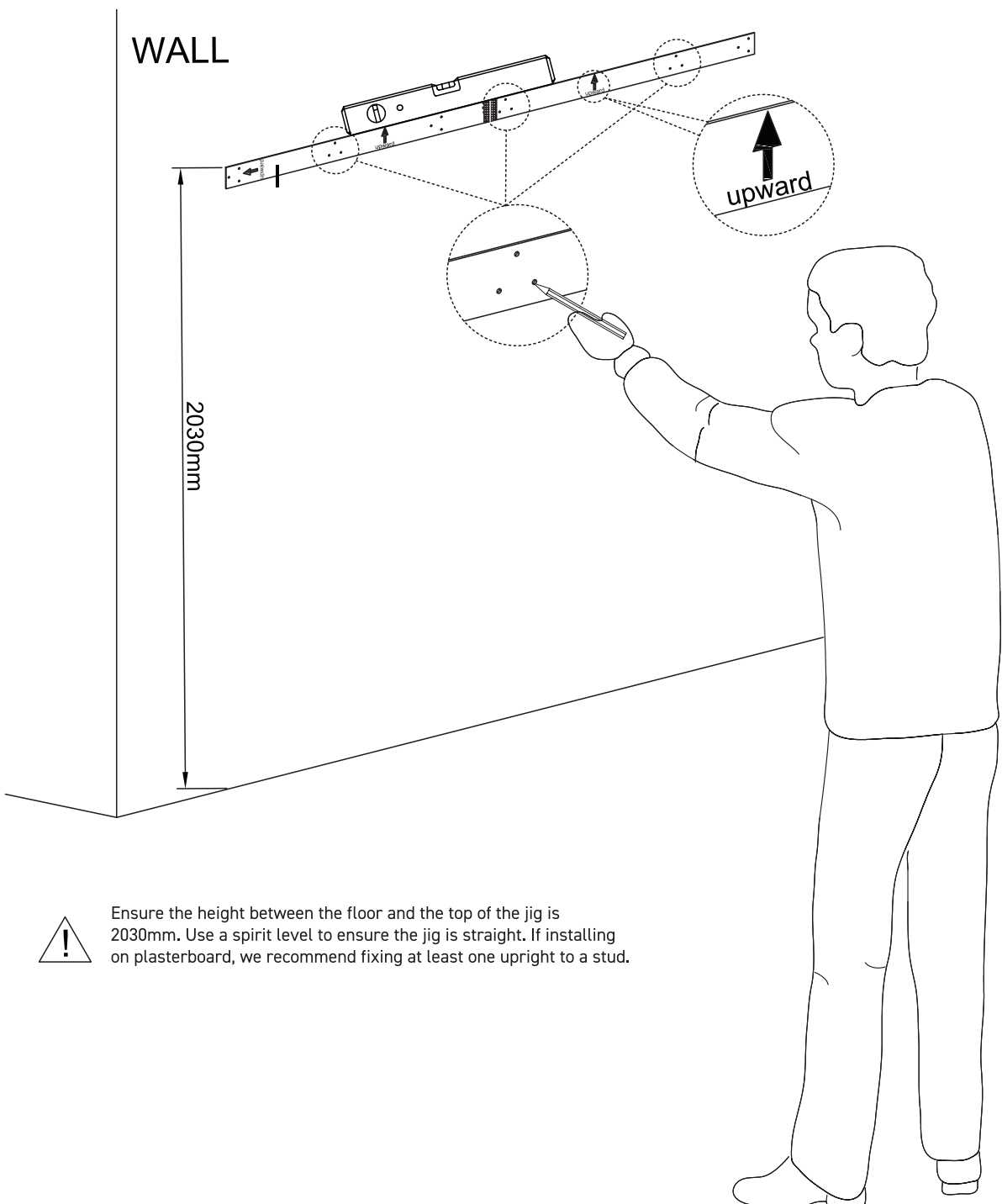
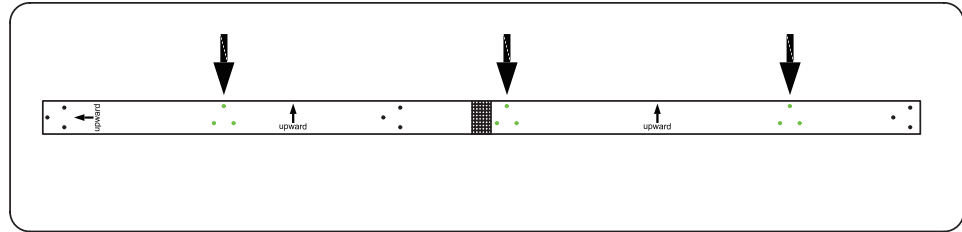
Ensure the end holes in 6 and 5 align.



**STEP 6**

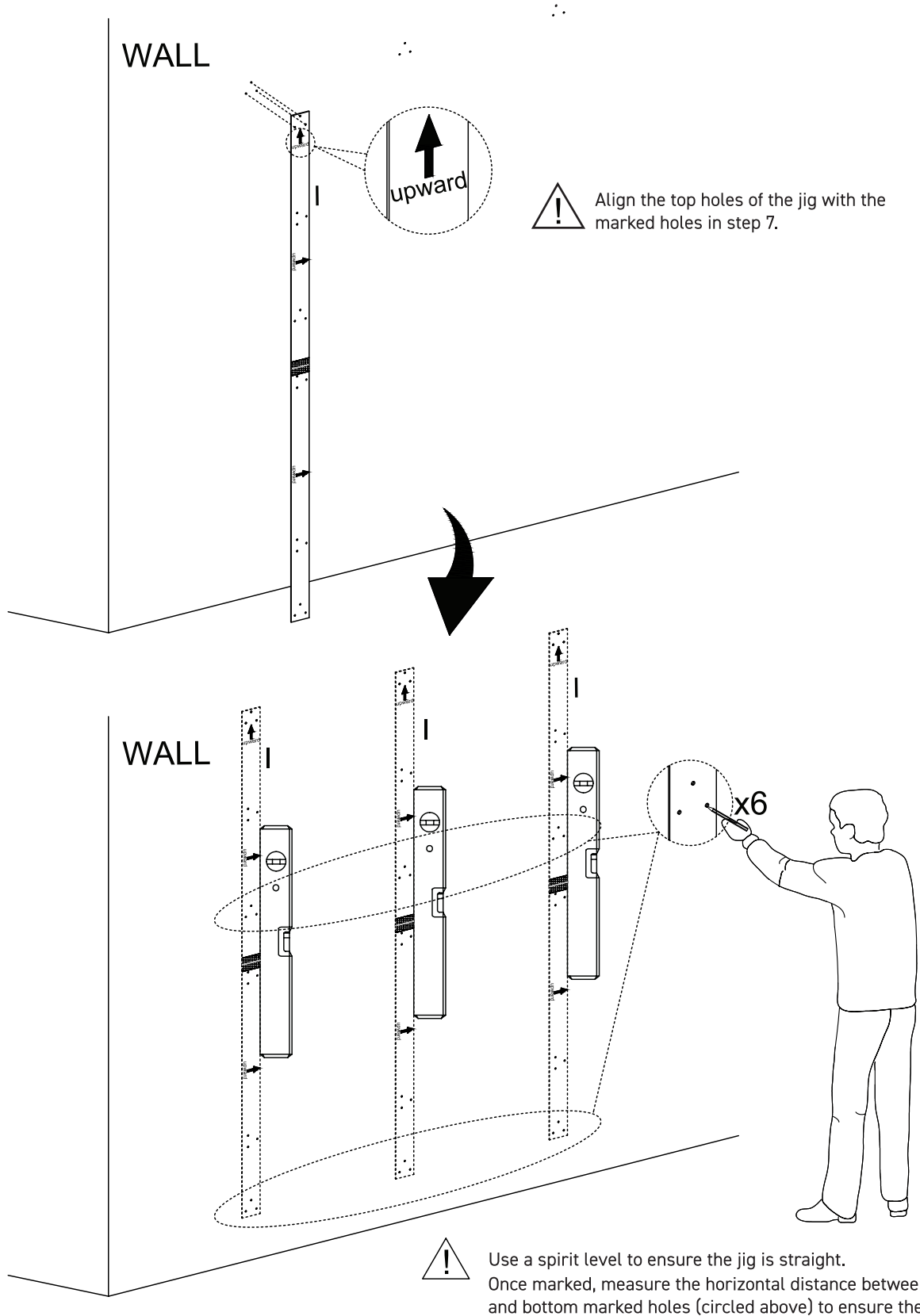


**STEP 7**

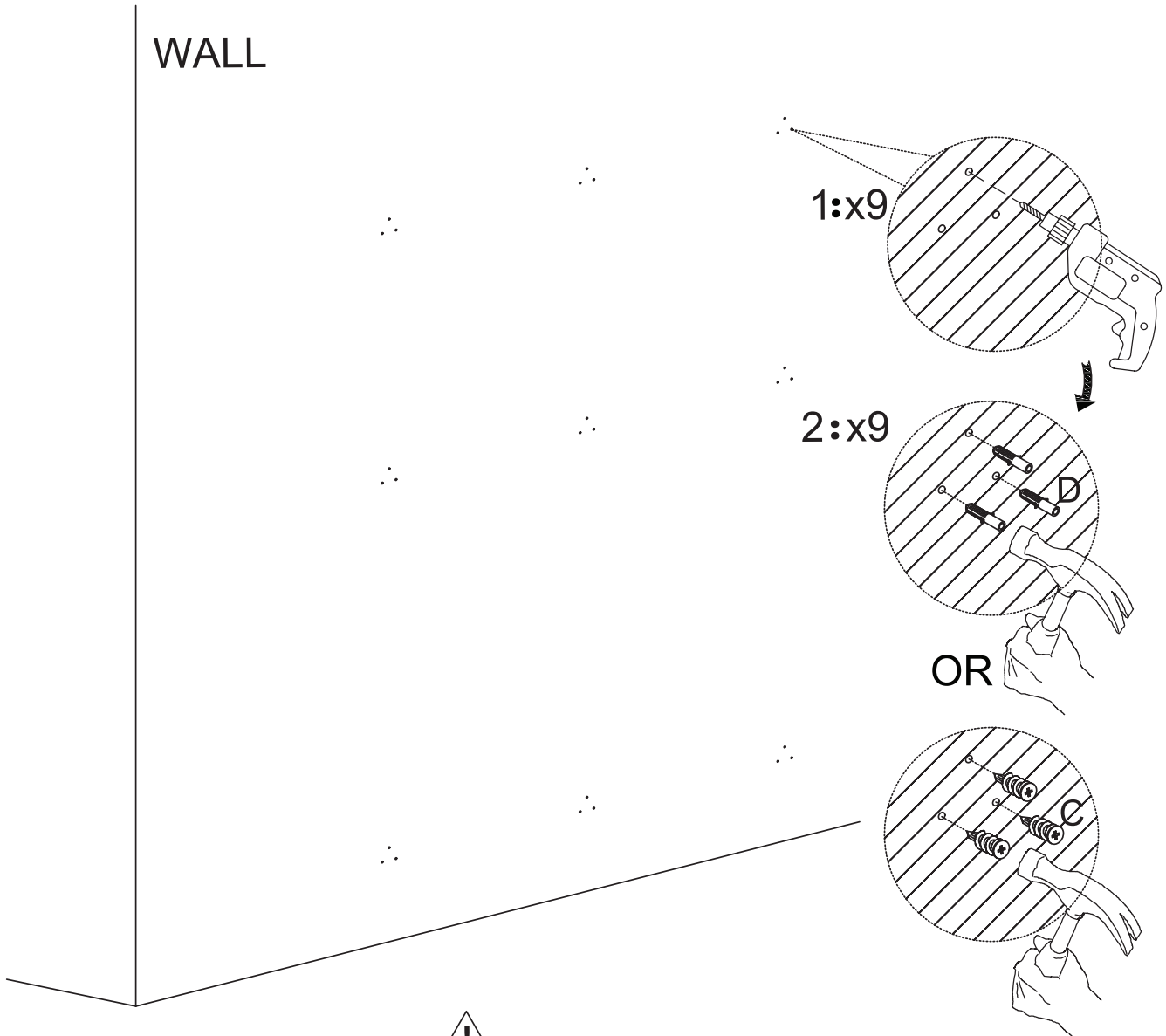


Ensure the height between the floor and the top of the jig is 2030mm. Use a spirit level to ensure the jig is straight. If installing on plasterboard, we recommend fixing at least one upright to a stud.

**STEP 8**



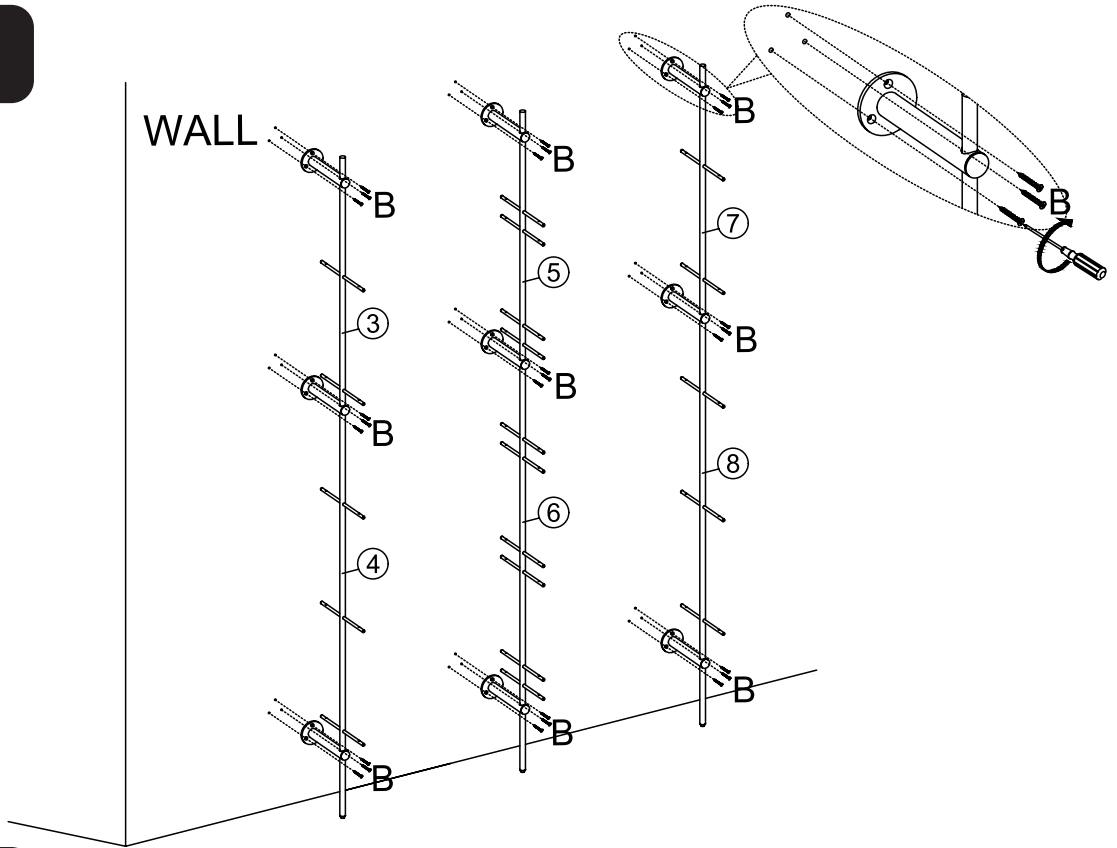
**STEP 9**



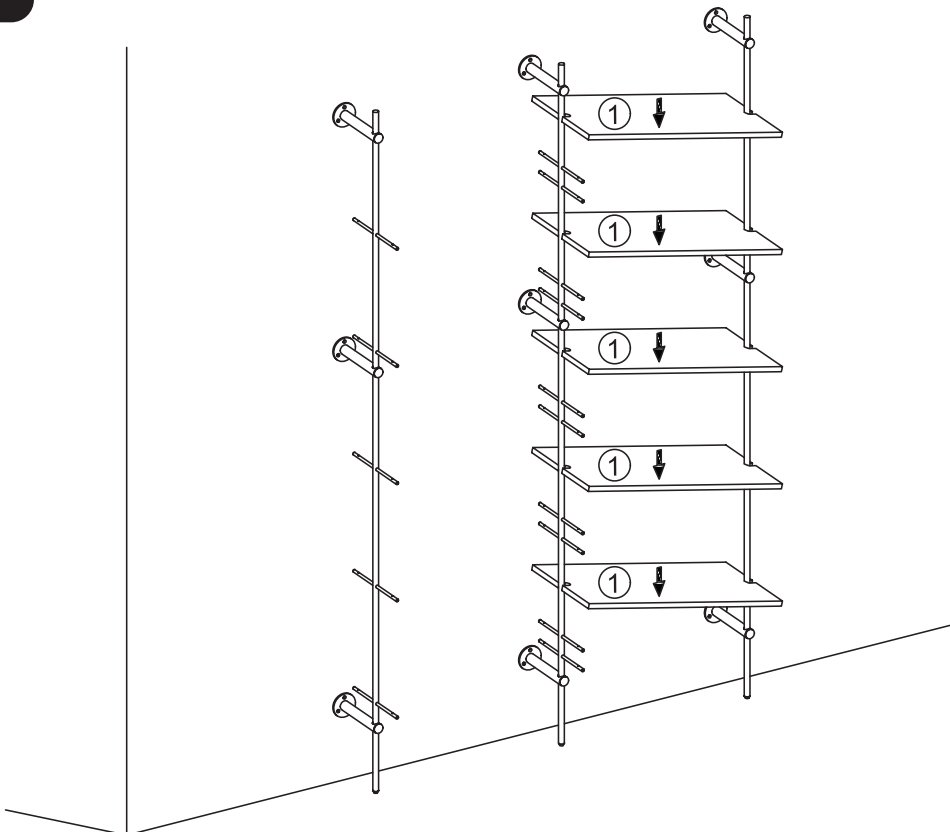
Different wall types require different wall plugs.



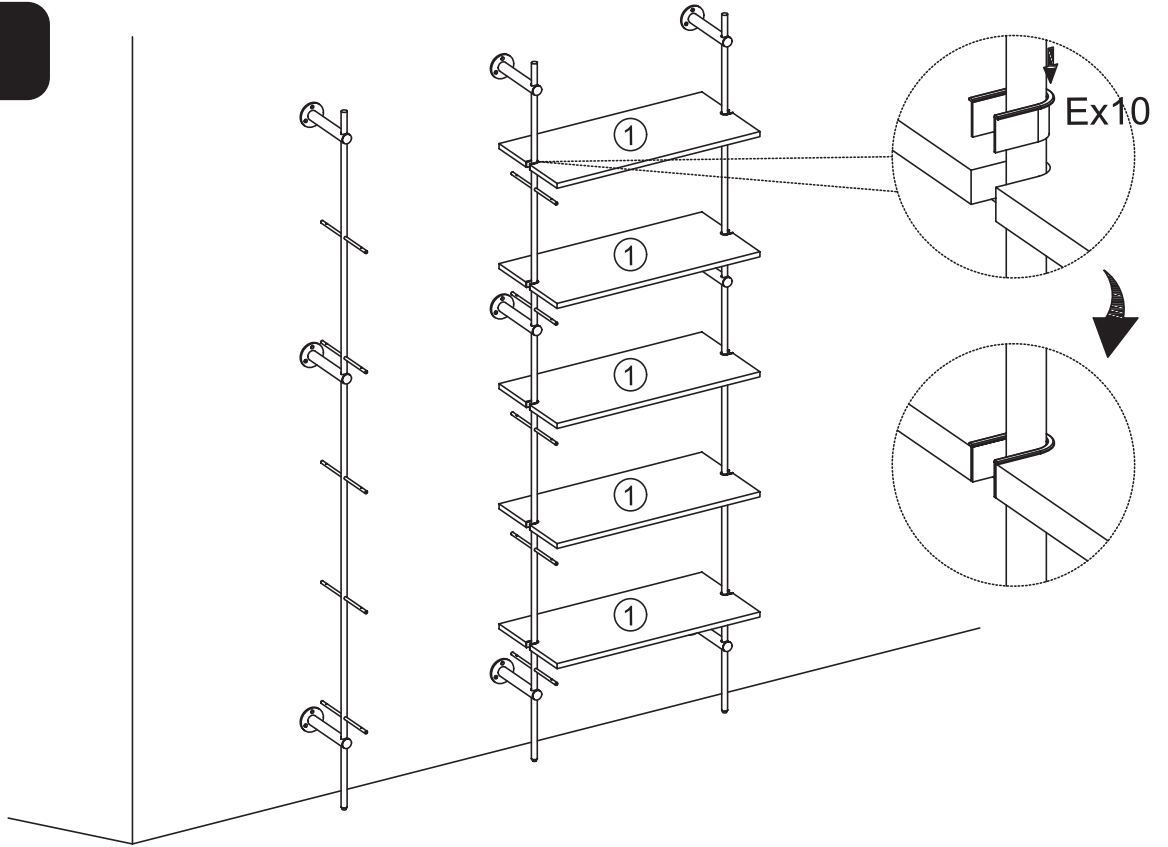
**STEP 10**



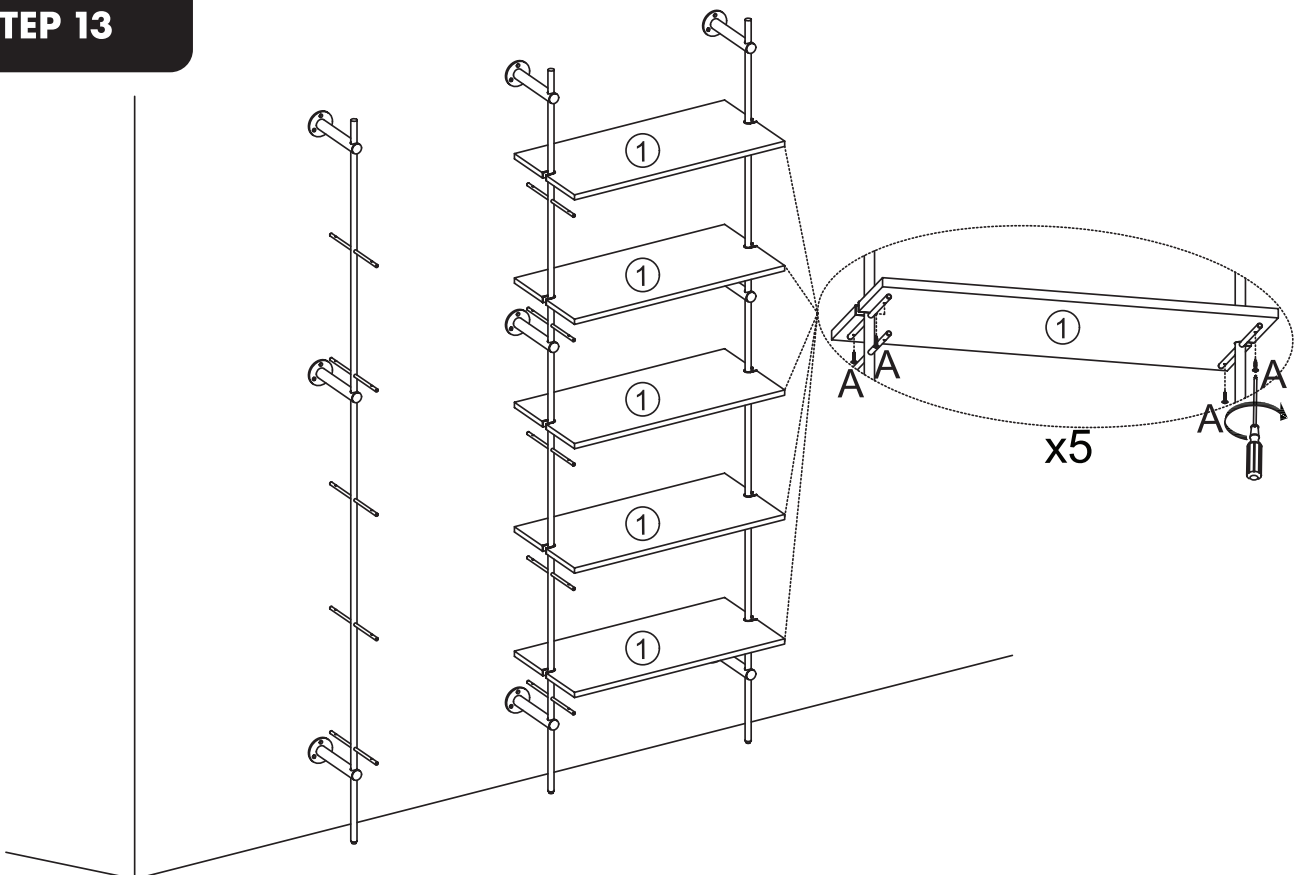
**STEP 11**



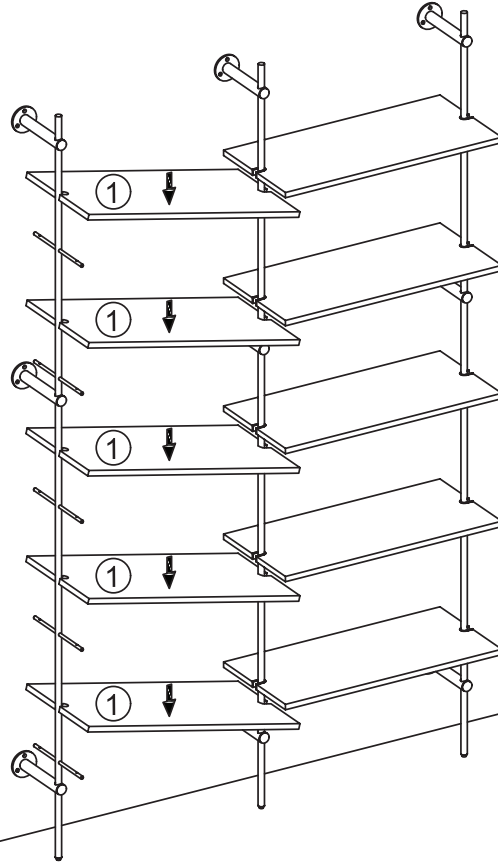
**STEP 12**



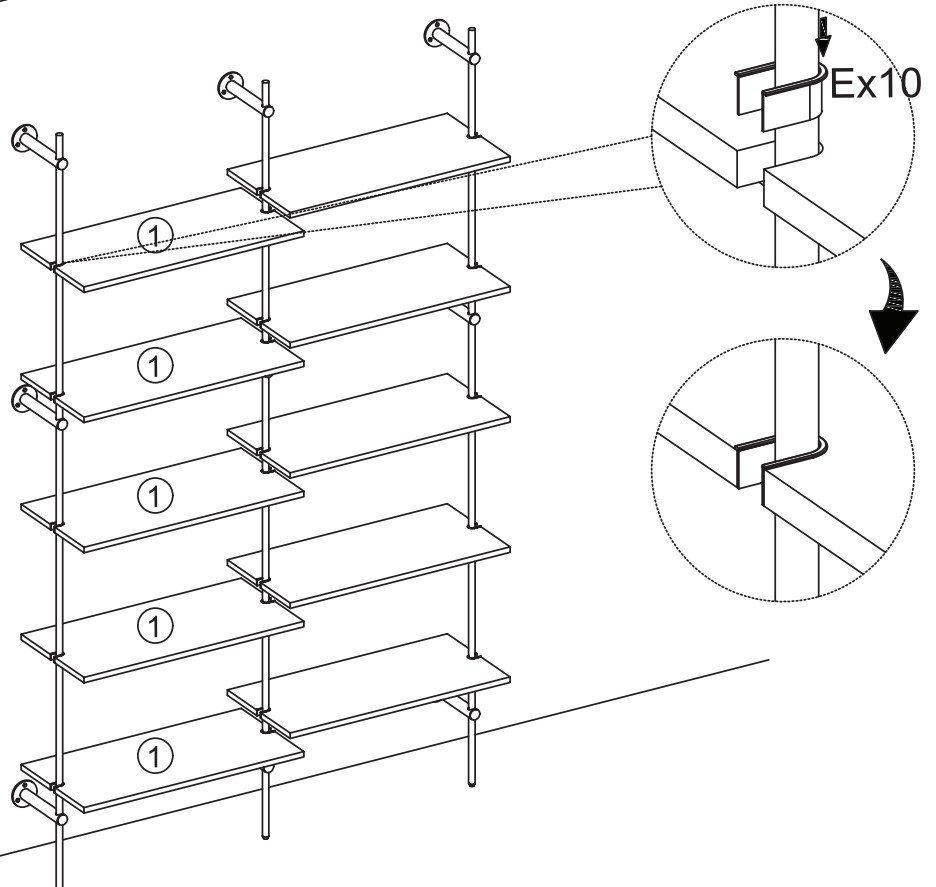
**STEP 13**



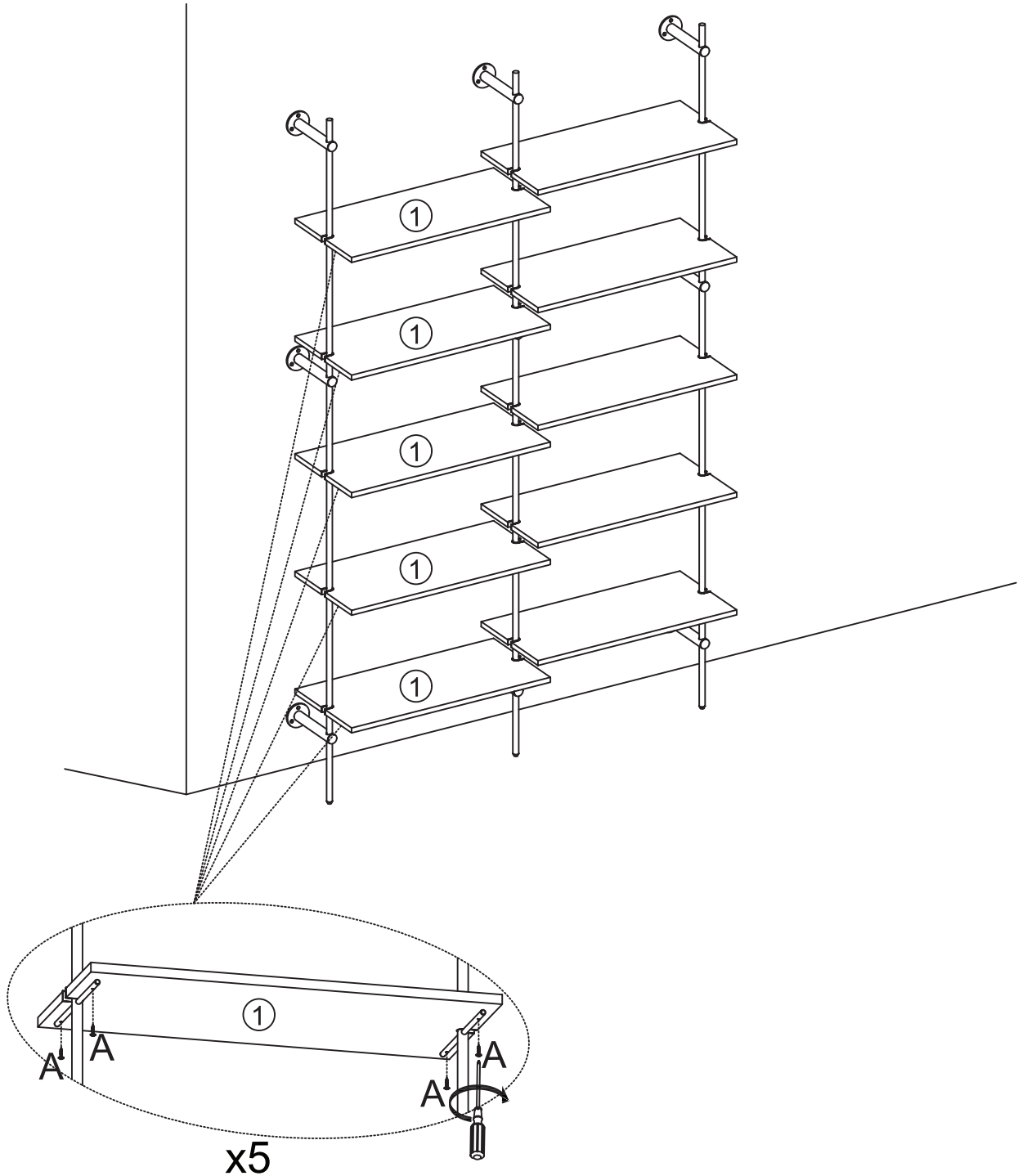
**STEP 14**



**STEP 15**



**STEP 16**



MADE IN CHINA  
Distributed by:  
Visy Retail Services Pty Ltd (AU): 1300 734 714  
Visy Board Limited (NZ): 0800 443 058

[flexistorage.com.au](http://flexistorage.com.au)  
[flexistorage.co.nz](http://flexistorage.co.nz)