

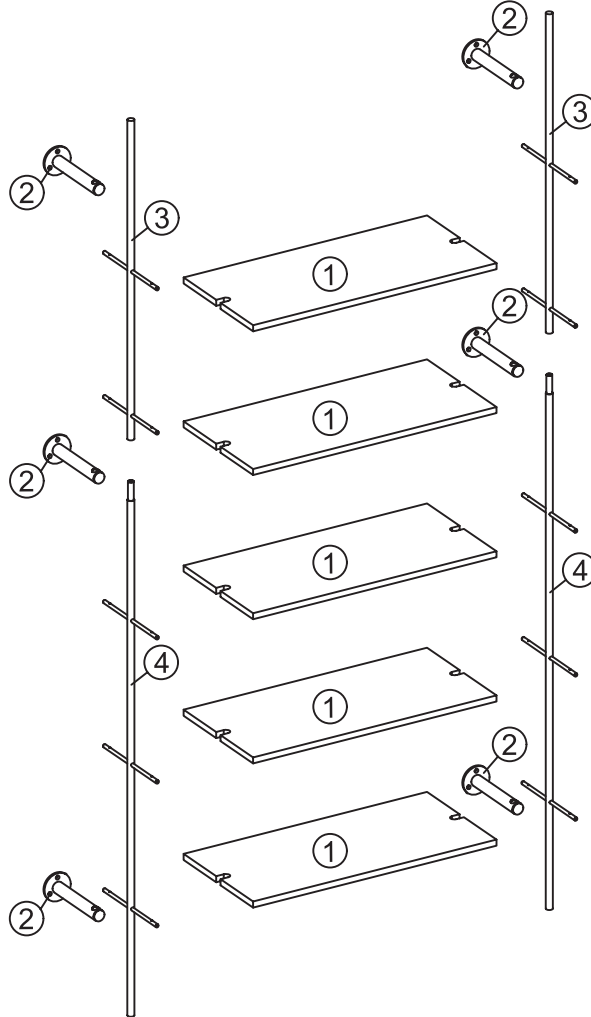
SEE HOW TO BUILD:



This Kit requires two people to assemble.





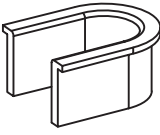


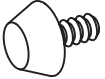

Care Instructions: We recommend to wipe over with a dry micro-fibre cloth to remove dust. Avoid using a damp or wet cloth and any cleaning chemicals as this may cause damage to the surface.







ELEMENTS



HARDWARE

TOOLS

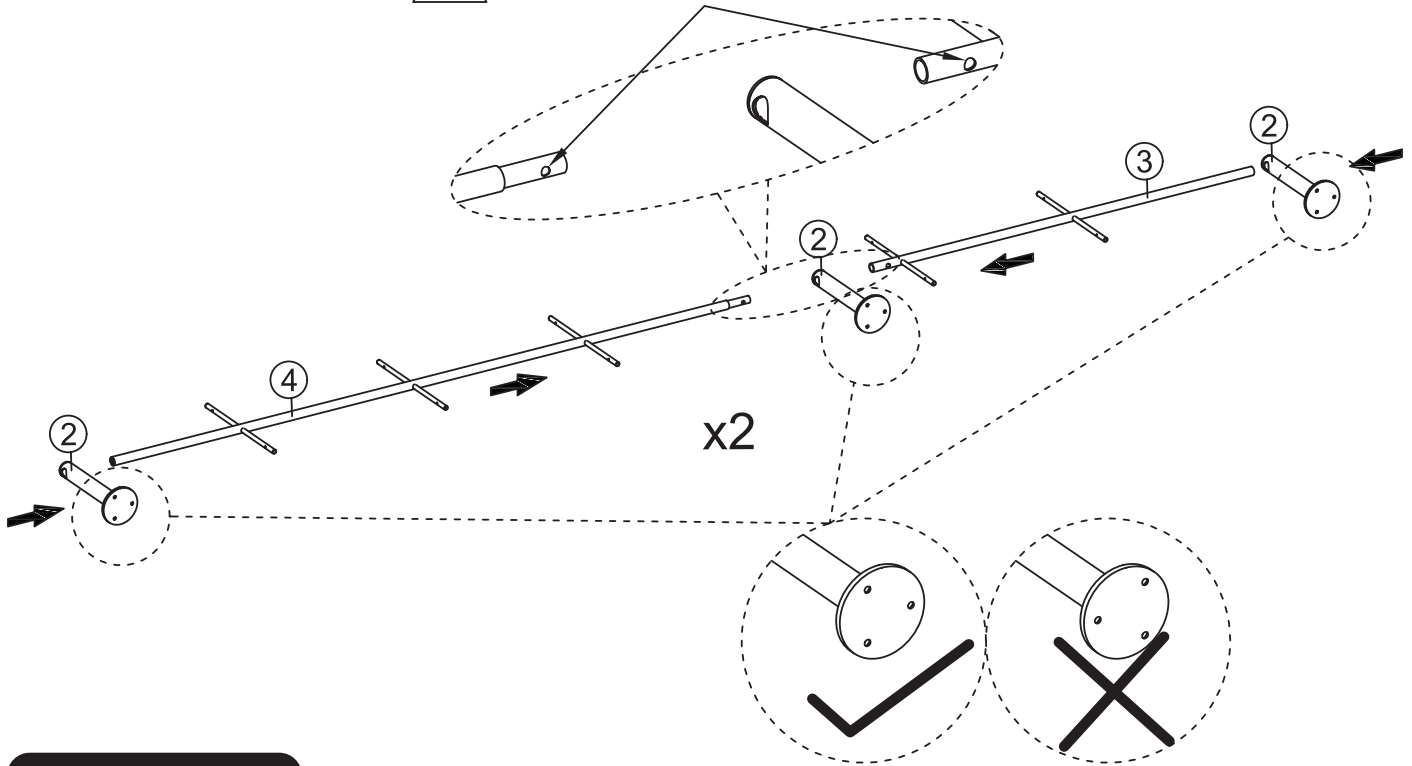
<p>A</p>  <p>x20</p>	<p>B</p>  <p>x18</p>	<p>C</p>  <p>x18</p>	<p>D</p>  <p>x18</p>	<p>E</p>  <p>x10</p>
<p>F</p>  <p>x2</p>	<p>G</p>  <p>x1</p>	<p>H</p>  <p>x2</p>	<p>I</p>  <p>x1</p>	

-  Tape Measure
-  Phillips Head Screw Driver
-  Hammer
-  Spirit Level
-  Pencil
-  Drill

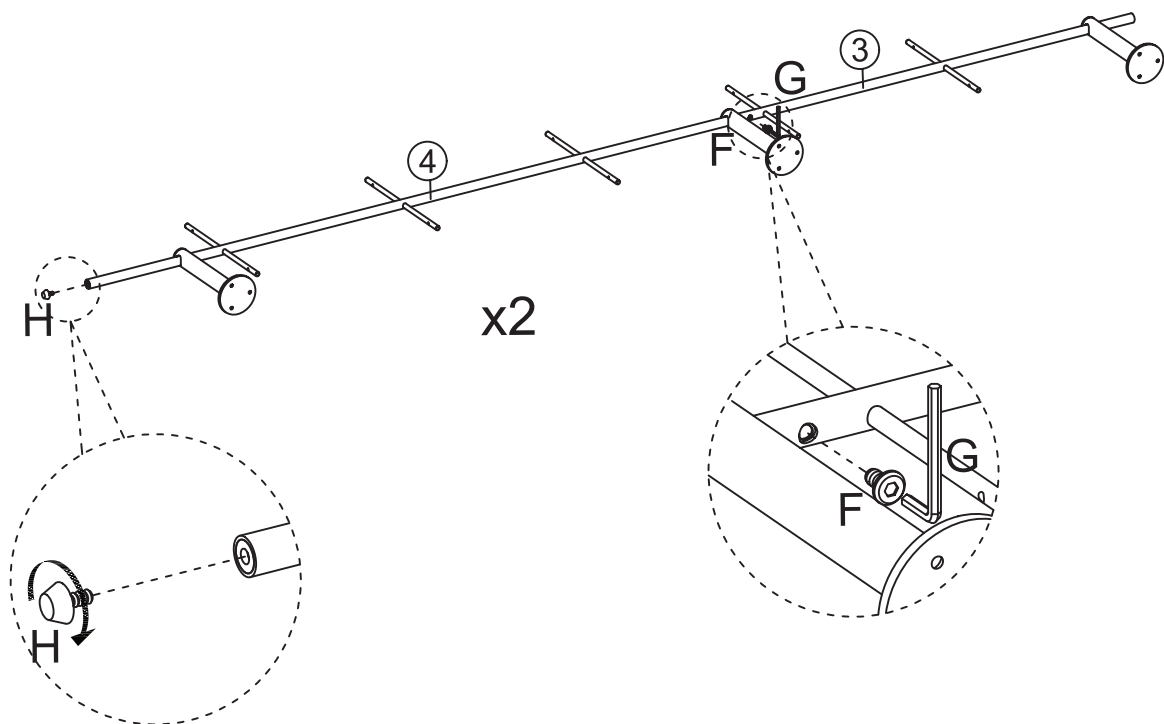
STEP 1



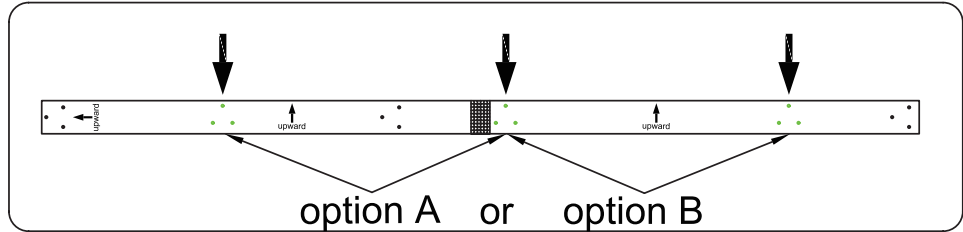
Ensure the end holes in 4 and 3 align.



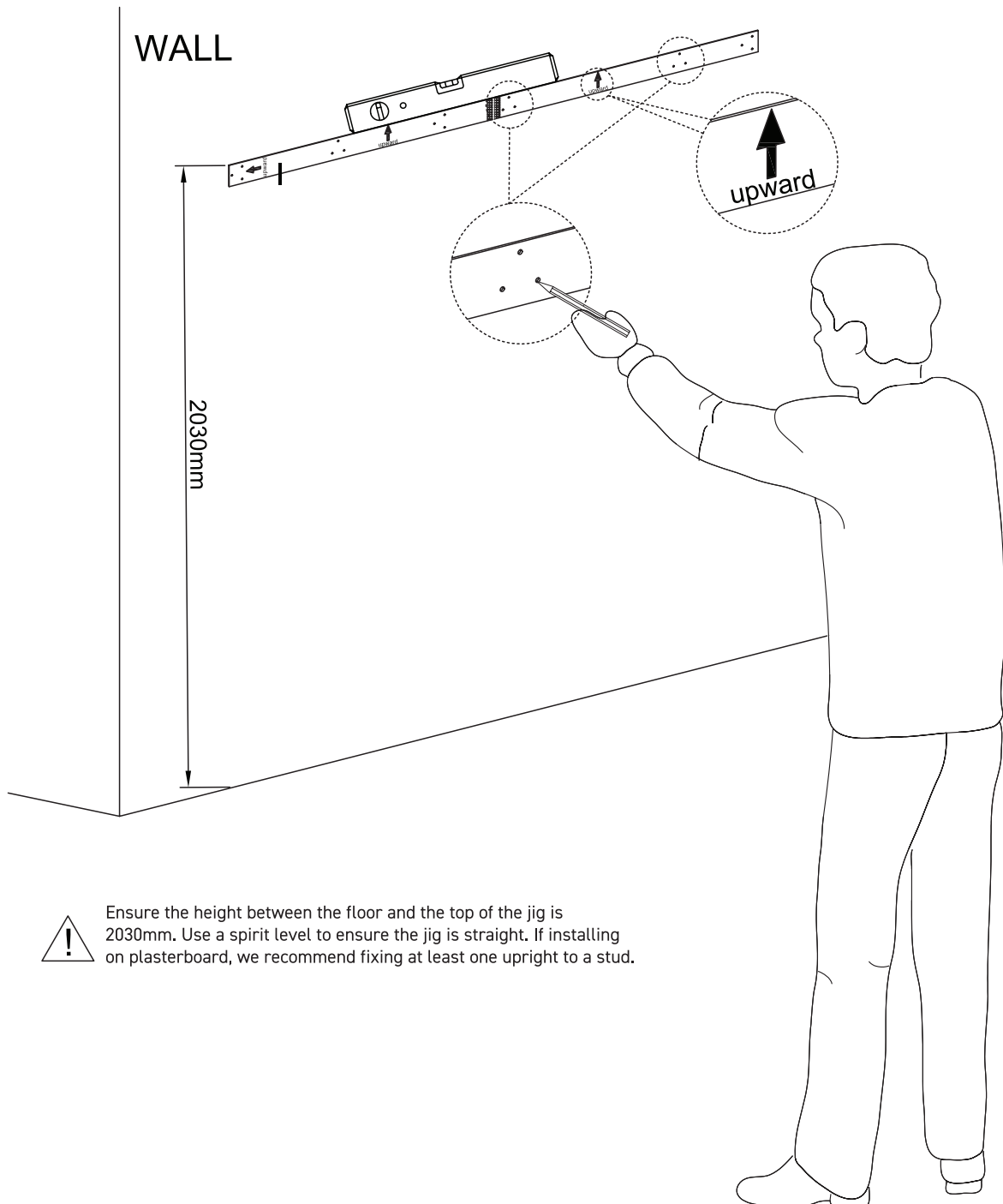
STEP 2



STEP 3



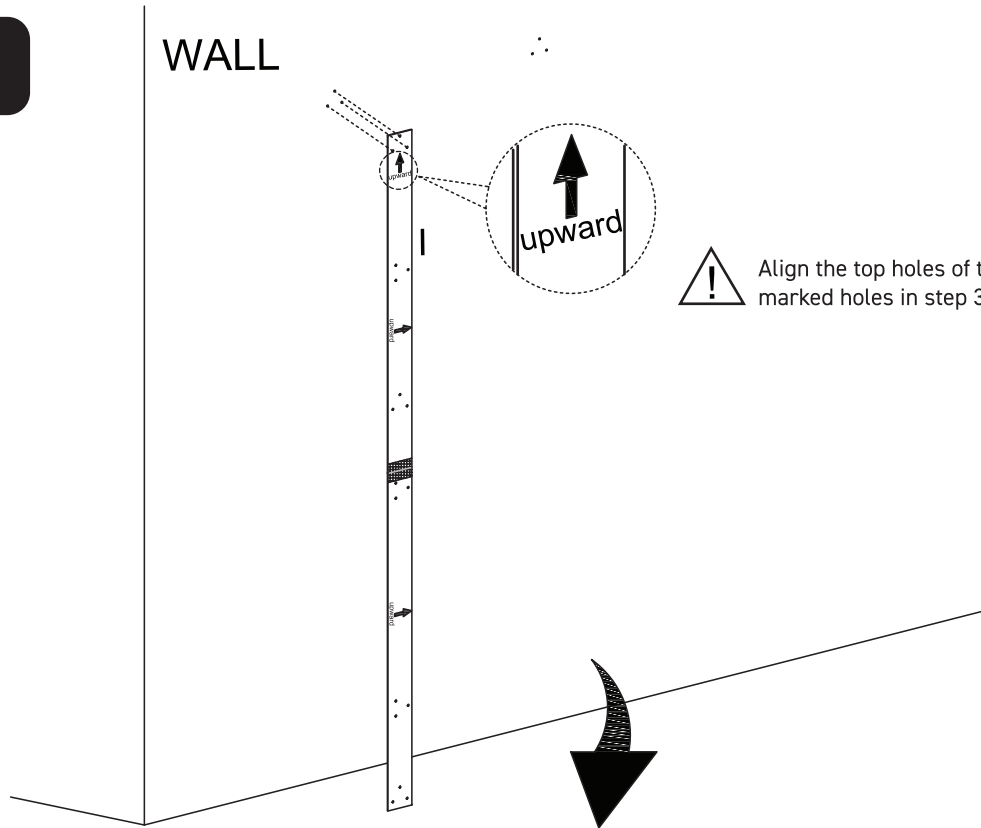
Mark mounting holes on the wall with a pencil using either option A or option B on the jig.



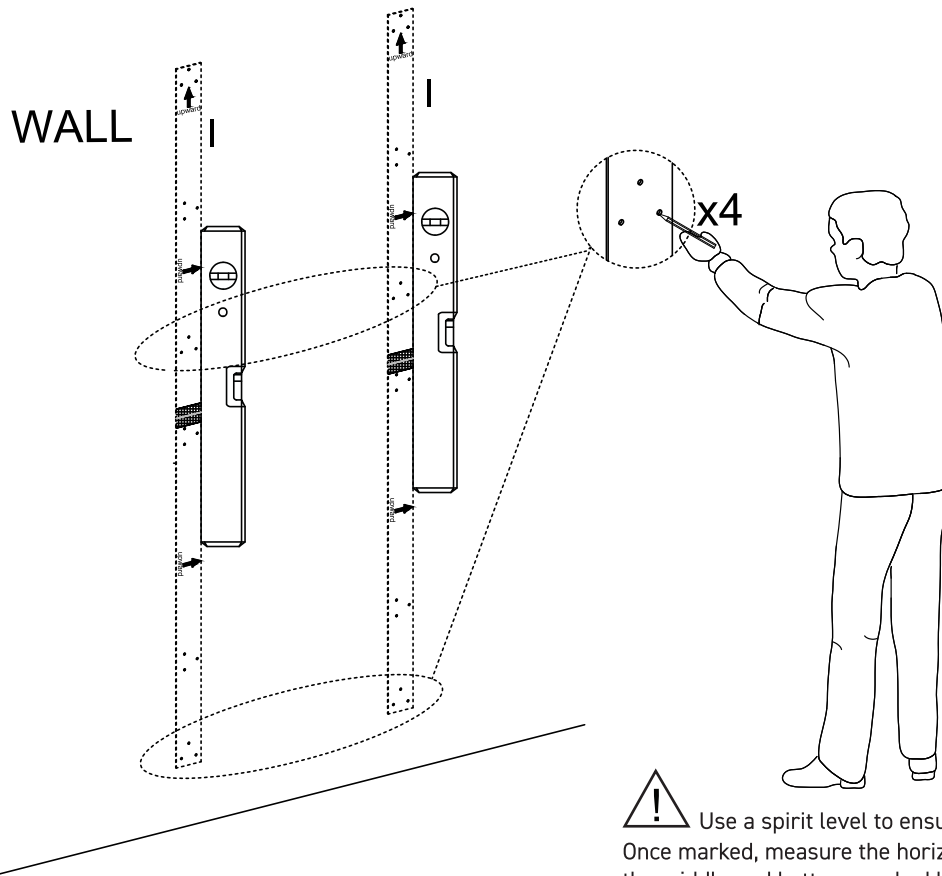
Ensure the height between the floor and the top of the jig is 2030mm. Use a spirit level to ensure the jig is straight. If installing on plasterboard, we recommend fixing at least one upright to a stud.

STEP 4

WALL

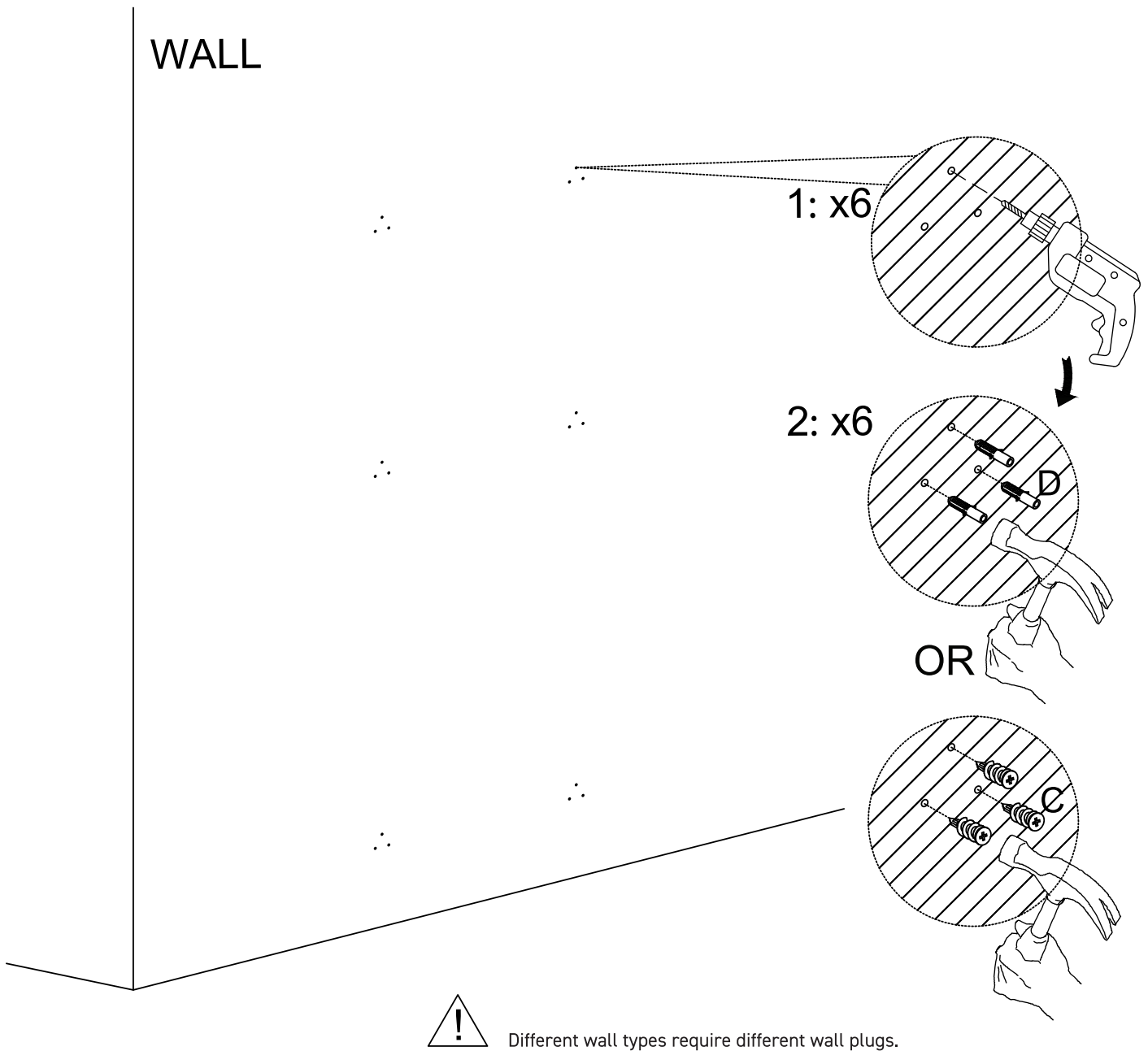


⚠ Align the top holes of the jig with the marked holes in step 3.

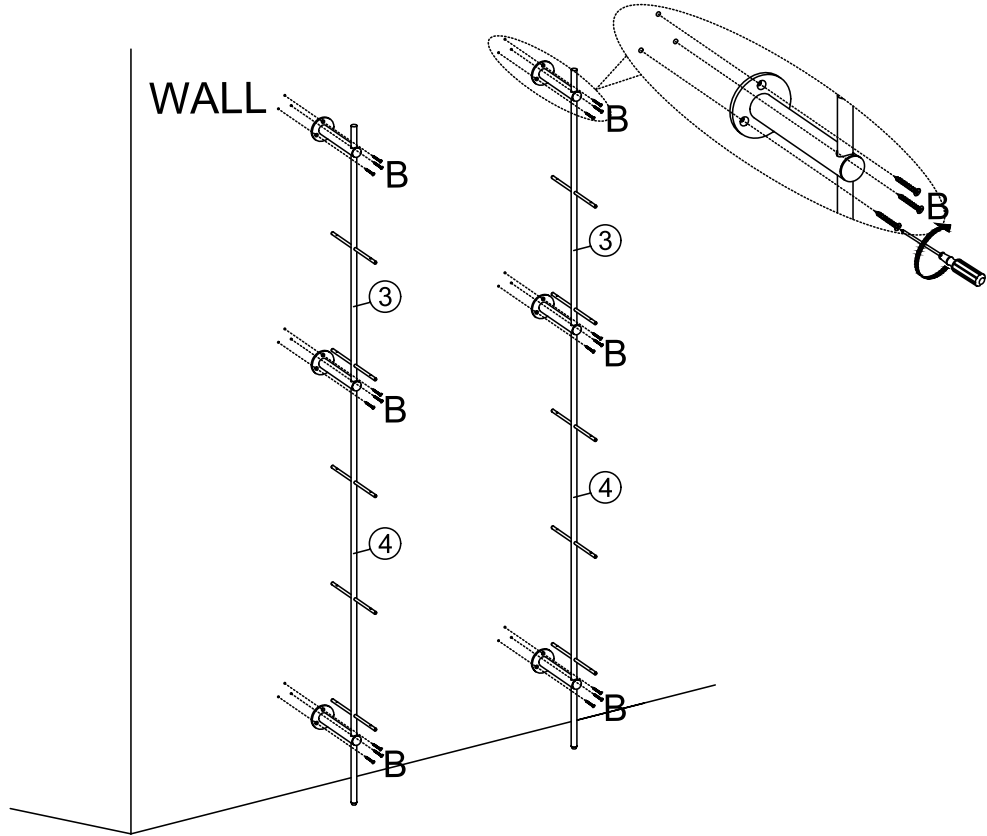


⚠ Use a spirit level to ensure the jig is straight. Once marked, measure the horizontal distance between the middle and bottom marked holes (circled above) to ensure they are equal.

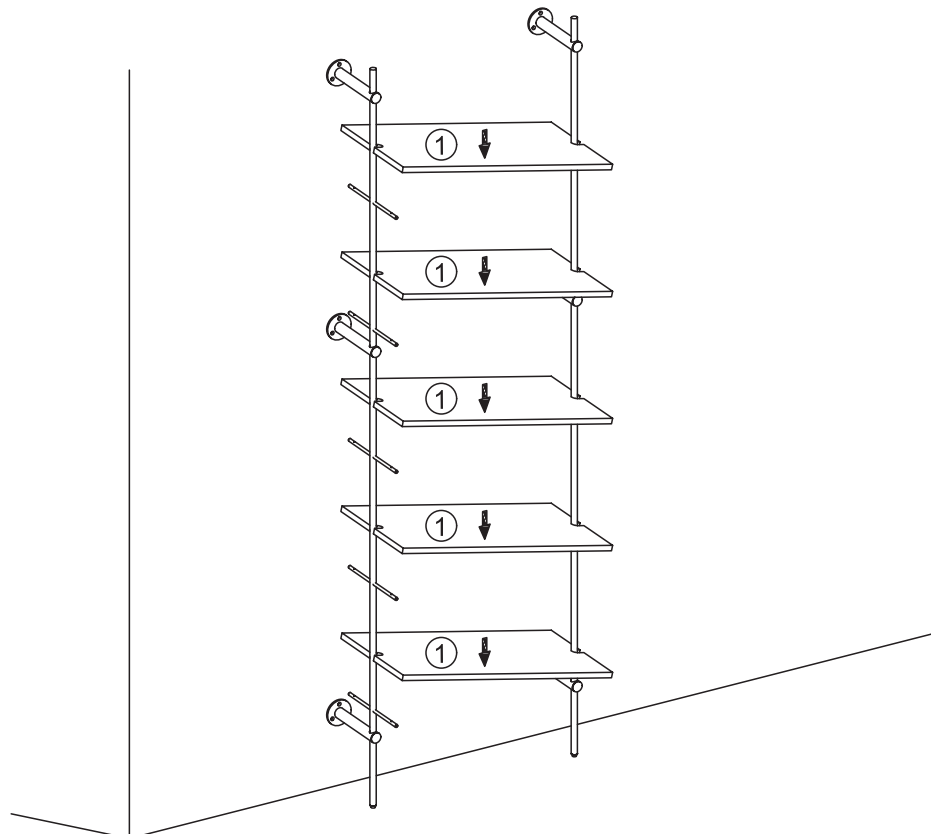
STEP 5



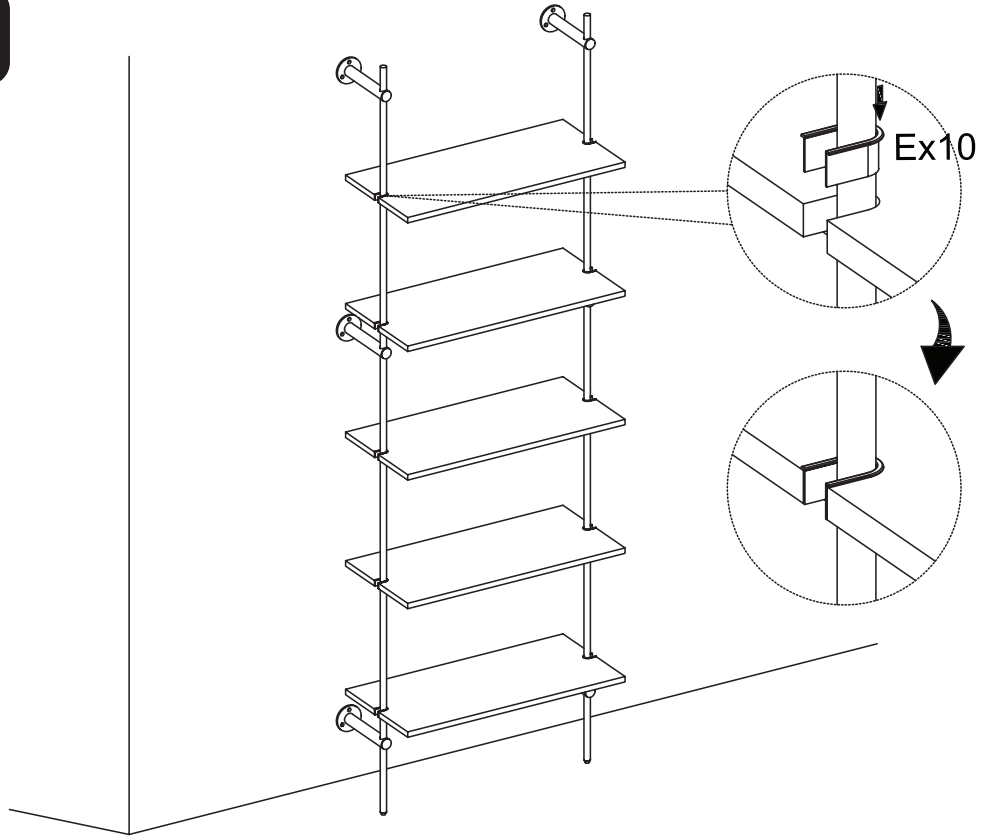
STEP 6



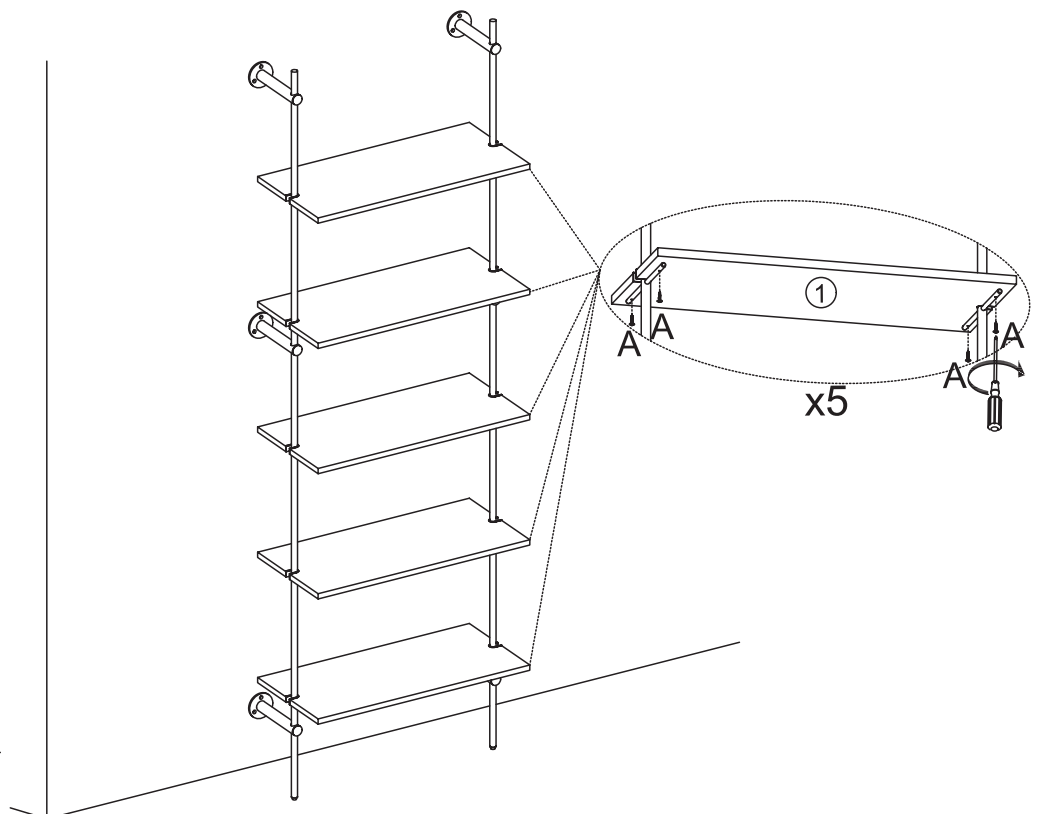
STEP 7



STEP 8



STEP 9



MADE IN CHINA
Distributed by:
Visy Retail Services Pty Ltd (AU): 1300 734 714
Visy Board Limited (NZ): 0800 443 058

flexistorage.com.au
flexistorage.co.nz