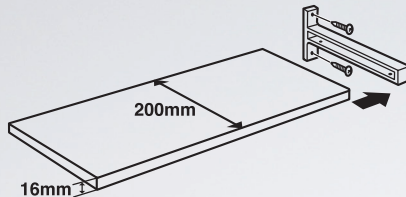


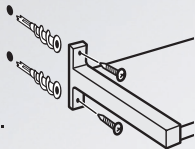
STEP 1

Using a pencil, mark the position of the End Brackets mounting hole onto the wall.



FOR PLASTERBOARD WALL

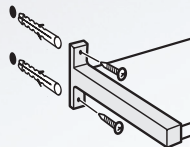
See your local hardware stockist for recommended wall plugs suitable for plasterboard wall (not provided) and fasten Flexi Clips to wall as per the hardware recommendations.



OR

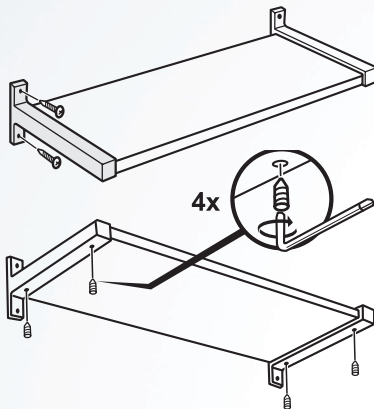
FOR MASONRY WALL

Using an 8mm drill bit, drill a 38mm deep hole for each Flexi Clip. Insert wall plugs provided and fasten to wall with screws provided.



STEP 2

Position shelf in bracket and fit second bracket to shelf. Mark the position of one mounting hole to the wall and use a spirit level to ensure shelf is level. Repeat fixing method.



STEP 3

Tighten adjustment screws under each bracket to fix to board.