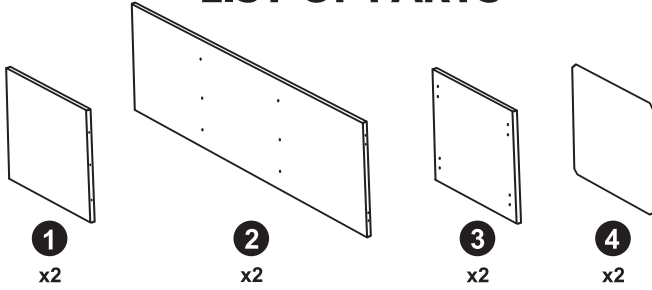


Assembled Size: 910mm High x 310mm Wide x 295mm Deep. Internal Cube Size: 285mm High x 285mm Wide x 295mm Deep

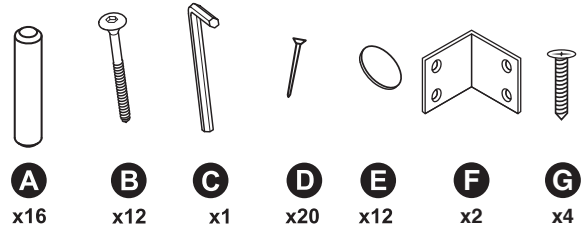
The only tools you require are an Allen key (supplied in Hardware Kit) and a small hammer

LIST OF PARTS



Note: All panels here are showing the internal view hole configurations.

Hardware Kit

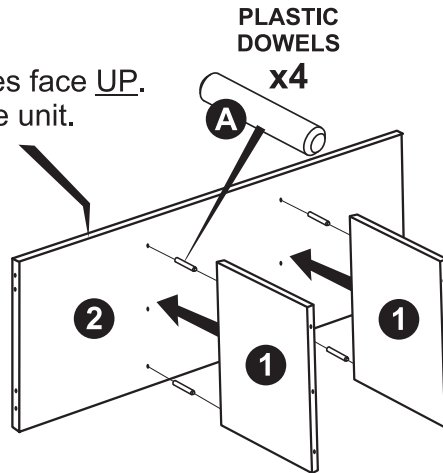


Hints: Assemble on a flat, clean, protected surface.
Fit panels together by tapping with hand to seat in place.

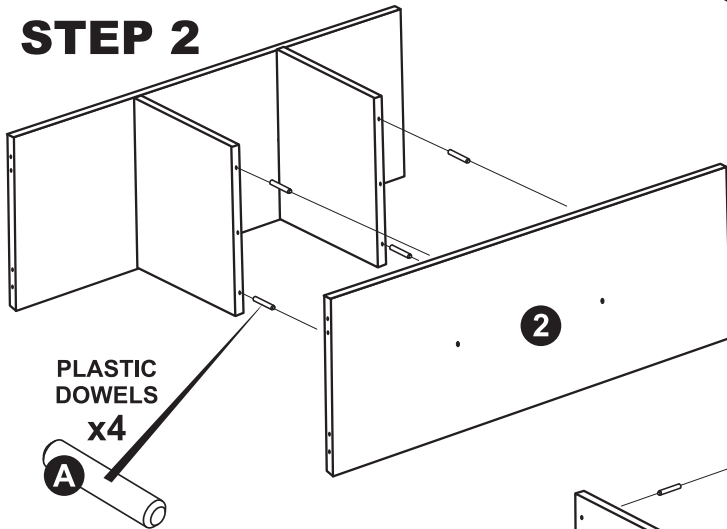
WARNING
• CHOKING HAZARD - This product contains small parts.

STEP 1

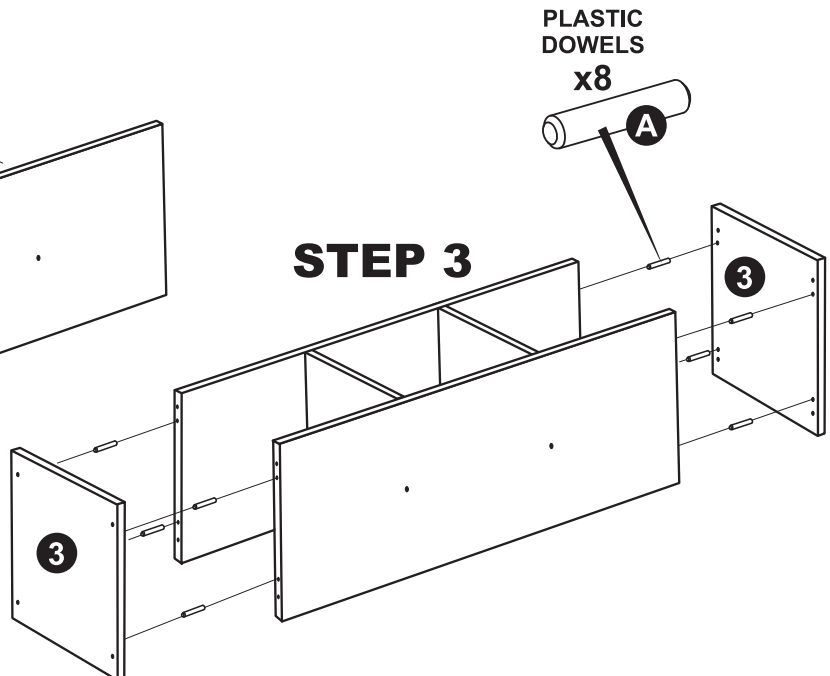
Note: Ensure all raw edges face UP.
This will be the back of the unit.



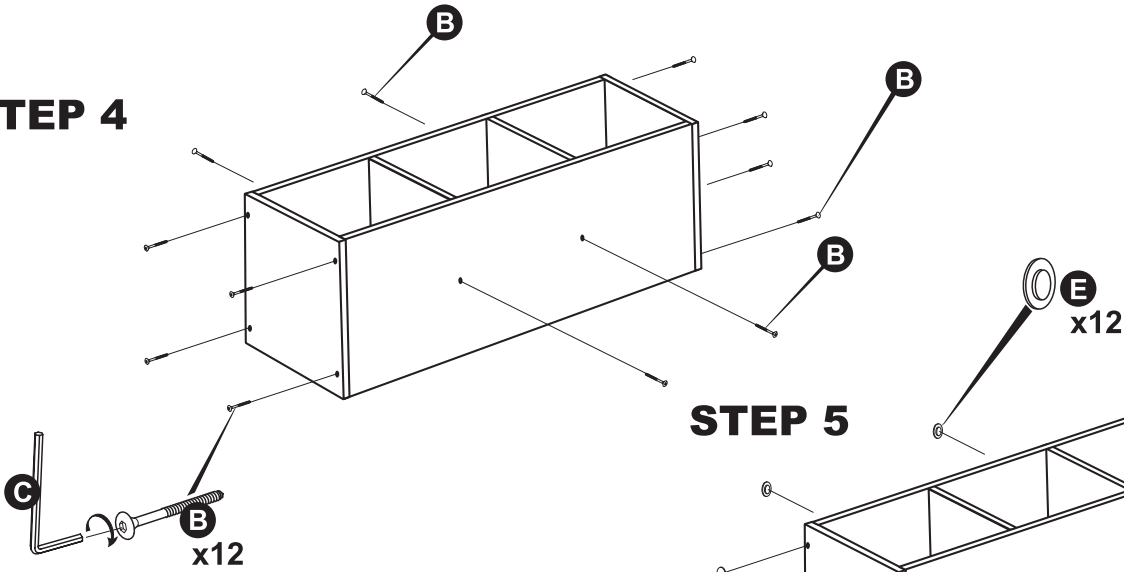
STEP 2



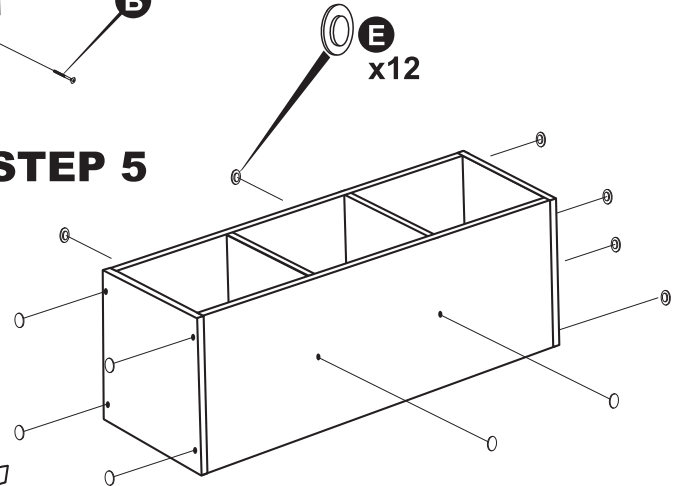
STEP 3



STEP 4



STEP 5

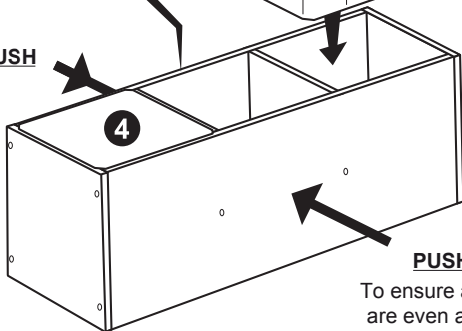


ATTACH BACK PANEL:
10 nails per back panel,
positioned evenly around edge
as shown.

STEP 6

IMPORTANT:
Raw side facing UP.

PUSH



PUSH:
To ensure all joints
are even and unit
is square

NOTE:
Place nails towards the centre
of the edge of the panel
to avoid splitting

**WARNING: TO AVOID THE RISK
OF STORAGE TIPPING OVER,
PLEASE ATTACH WALL MOUNT
SUPPLIED TO THE PRODUCT
AND WALL AS SHOWN.**

As wall materials vary, screws for
fixing to wall are not included.
For advice on suitable screw
system, contact your local dealer.

