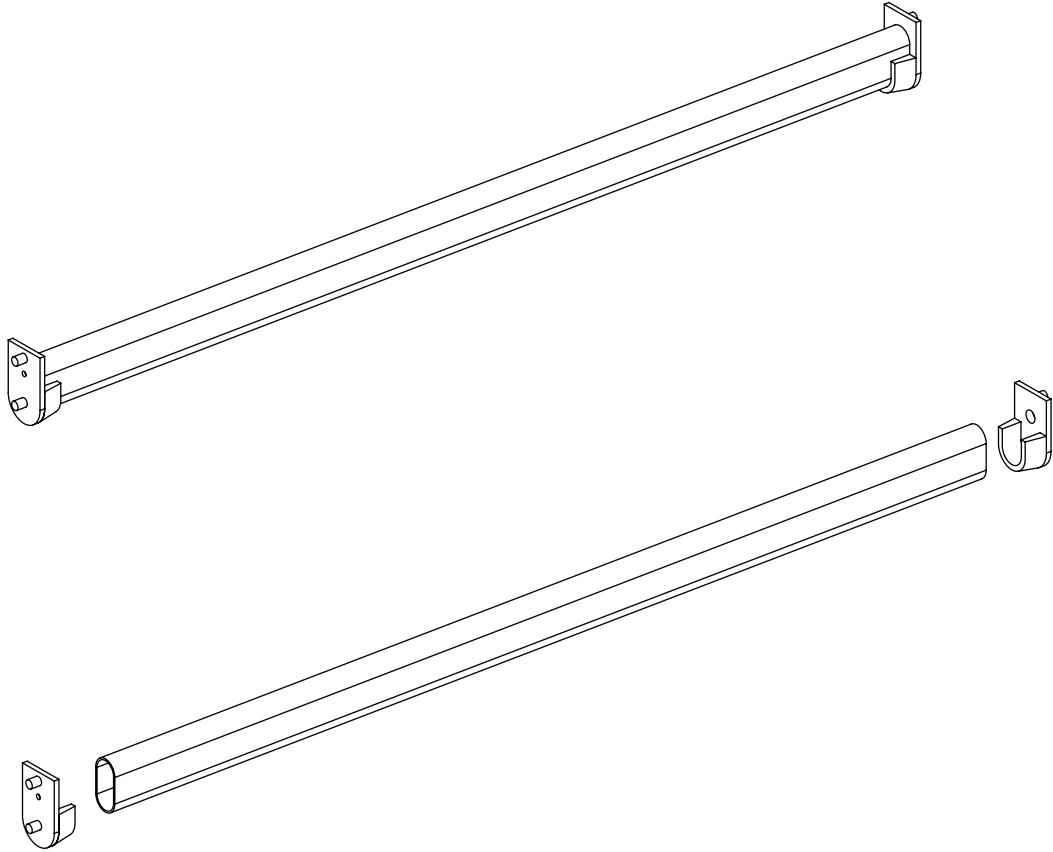
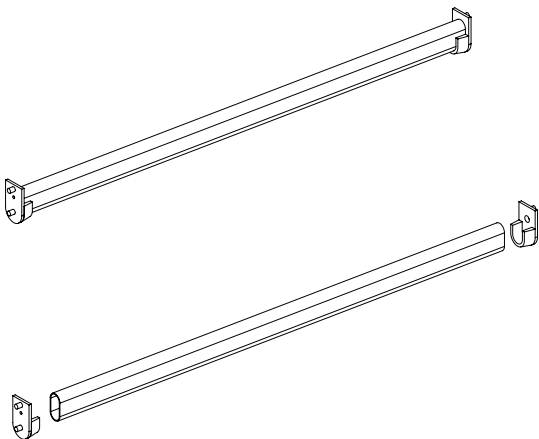


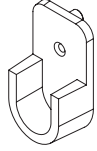
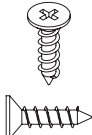
**HANGING RAIL
ASSEMBLY INSTRUCTIONS**



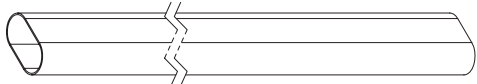
ELEMENTS



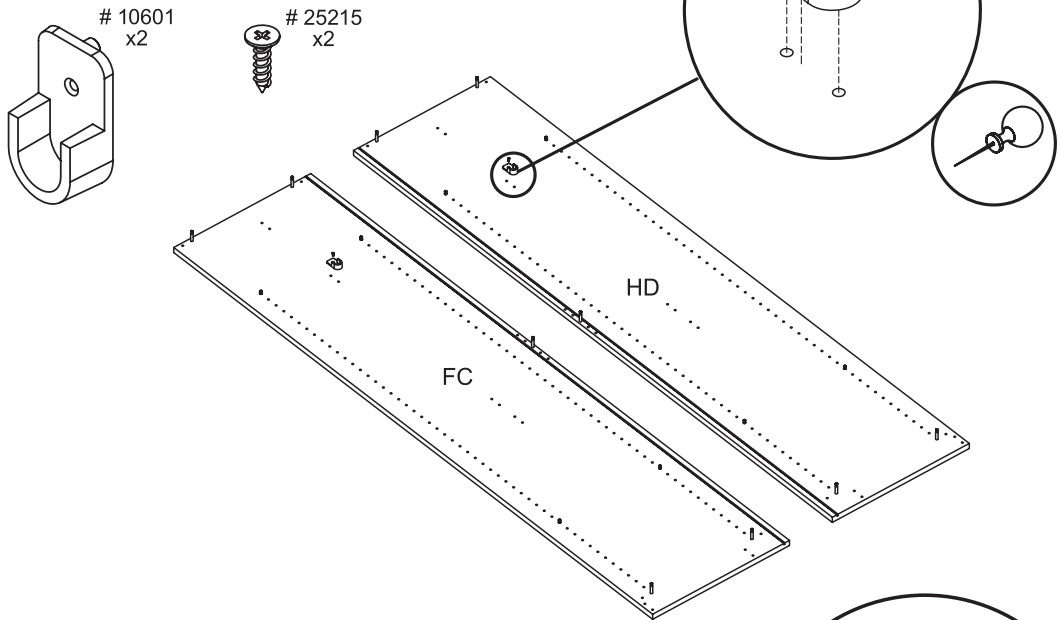
HARDWARE

<p>10601</p>  <p>x2</p>	<p>25215</p>  <p>x2</p>
--	--

72503 x1



STEP 1



STEP 2

